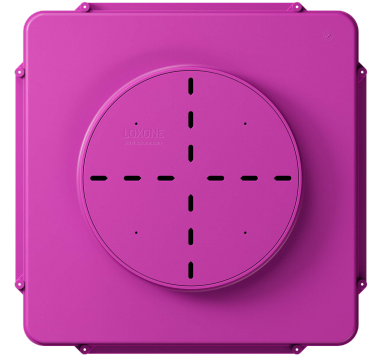


Datasheet

Concrete Backbox for 10" Install Speaker

Part No: 610173



About the product

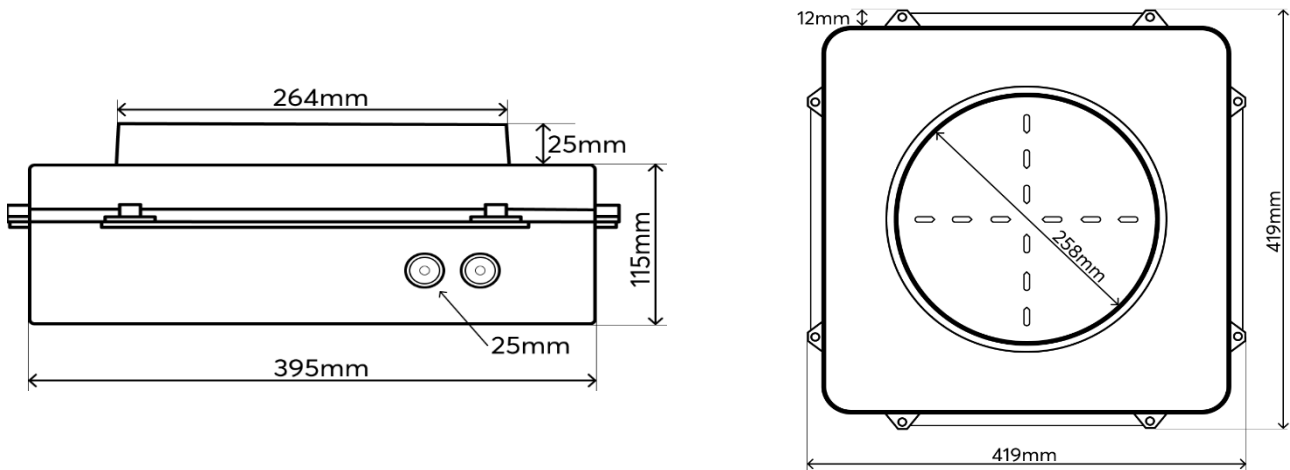
The Concrete Backbox is perfect for installation of the Install Speaker 10 in concrete ceilings.

Product Characteristics

| | |
|------------------|-----------------------------|
| Colours | Purple: RAL4006 |
| Material | Polycarbonate, halogen-free |
| Damping material | Polyester fleece (glued in) |

Weight & Dimensions

| | |
|--------------------|--|
| Net weight | 2.2kg |
| Total weight | 2.95kg |
| Volume | 18l |
| Conduit entries | 4x M25 |
| Outlet | 258mm / 10.2" (Ø) |
| Installation depth | 116mm / 4.57" |
| Product dimensions | 419x419x140mm / 16.5x16.5x5.5" (LxWxH) |



| | |
|-----------|--|
| Pack size | 445x445x155mm / 17.5x17.5x6.1" (LxWxH) |
|-----------|--|

Published by

Loxone Electronics GmbH

Smart Home 1
4154 Kollerschlag
Austria
Tel: +43 7287 7070-0
loxone.com

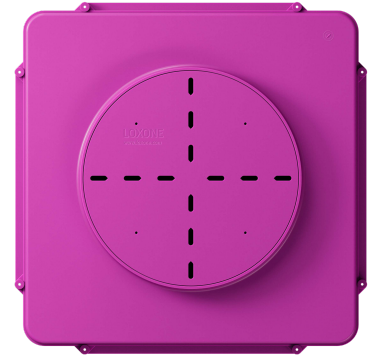
Loxone UK

The Forum
Station Road
Theale, RG7 4RA
United Kingdom

Datenblatt

Betoneinbaugehäuse für 10" Install Speaker

Art. Nr. 610173



Information zum Produkt

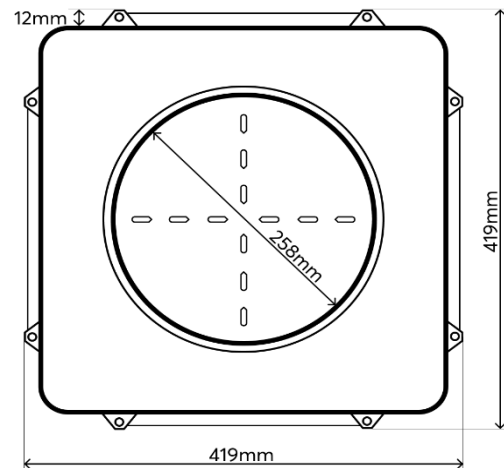
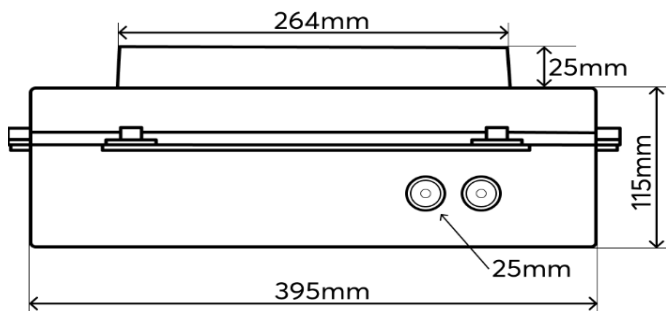
Das Betoneinbaugehäuse eignet sich perfekt für die Installation des Install Speaker 10 in Betondecken.

Produkteigenschaften

| | |
|-------------------|-----------------------------|
| Farbe | Lila: RAL4006 |
| Material | Polycarbonat, halogenfrei |
| Dämpfungsmaterial | Polyestervlies (eingeklebt) |

Gewicht & Abmessungen

| | |
|------------------|--|
| Nettogewicht | 2,2kg |
| Bruttogewicht | 2,95kg |
| Volumen | 18l |
| Rohreinführungen | 4x M25 |
| Auslass | 258mm / 10,2" (Ø) |
| Einbautiefe | 116mm / 4,57" |
| Produktmaße | 419x419x140mm / 16,5x16,5x5,5" (LxBxH) |



| | |
|---------|--|
| Packmaß | 445x445x155mm / 17,5x17,5x6,1" (LxBxH) |
|---------|--|

Published by
Loxone Electronics GmbH
 Smart Home 1
 4154 Kollerschlag
 Austria
 Tel: +43 7287 7070-0
 loxone.com

Loxone UK
 The Forum
 Station Road
 Theale, RG7 4RA
 United Kingdom