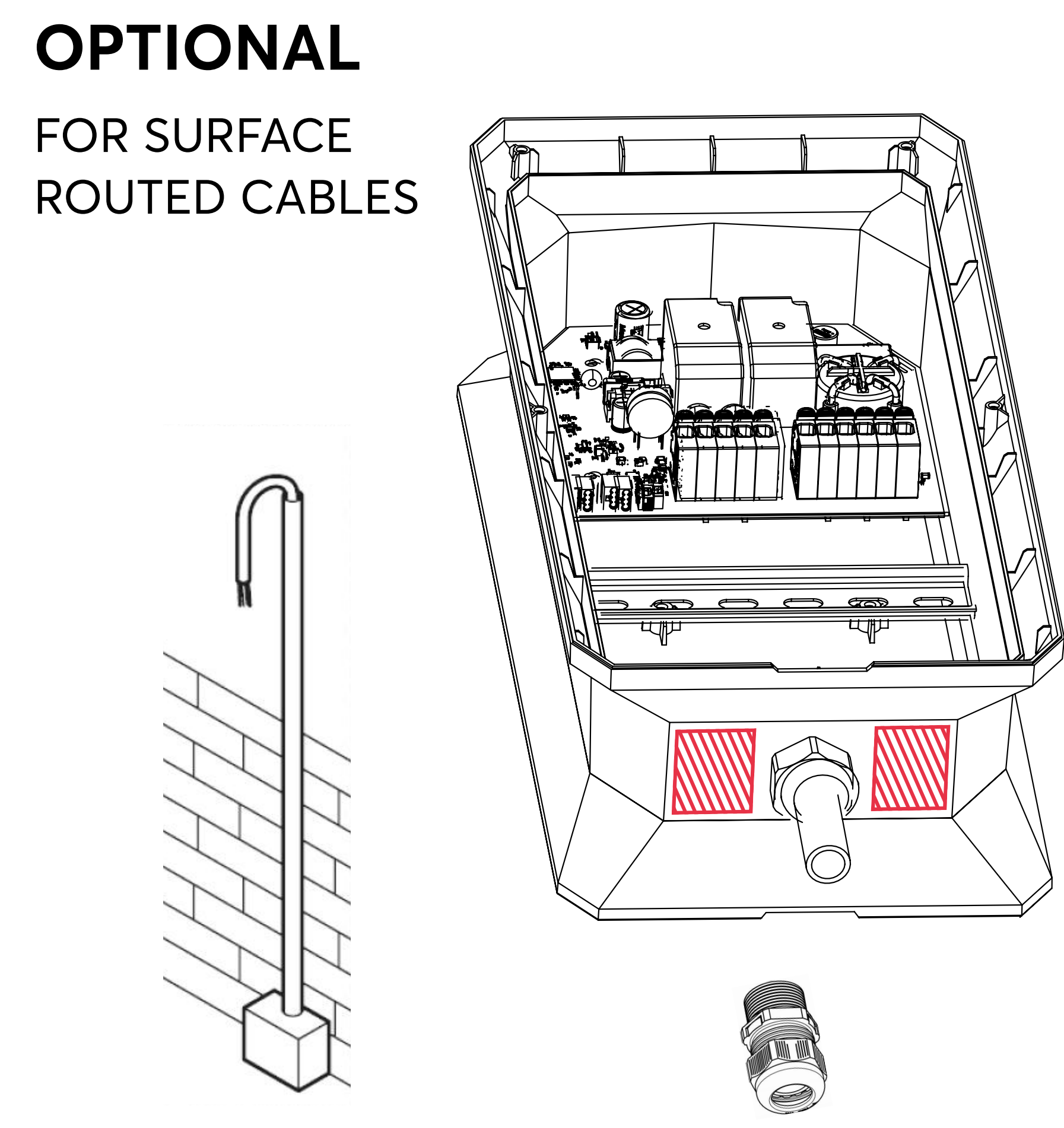
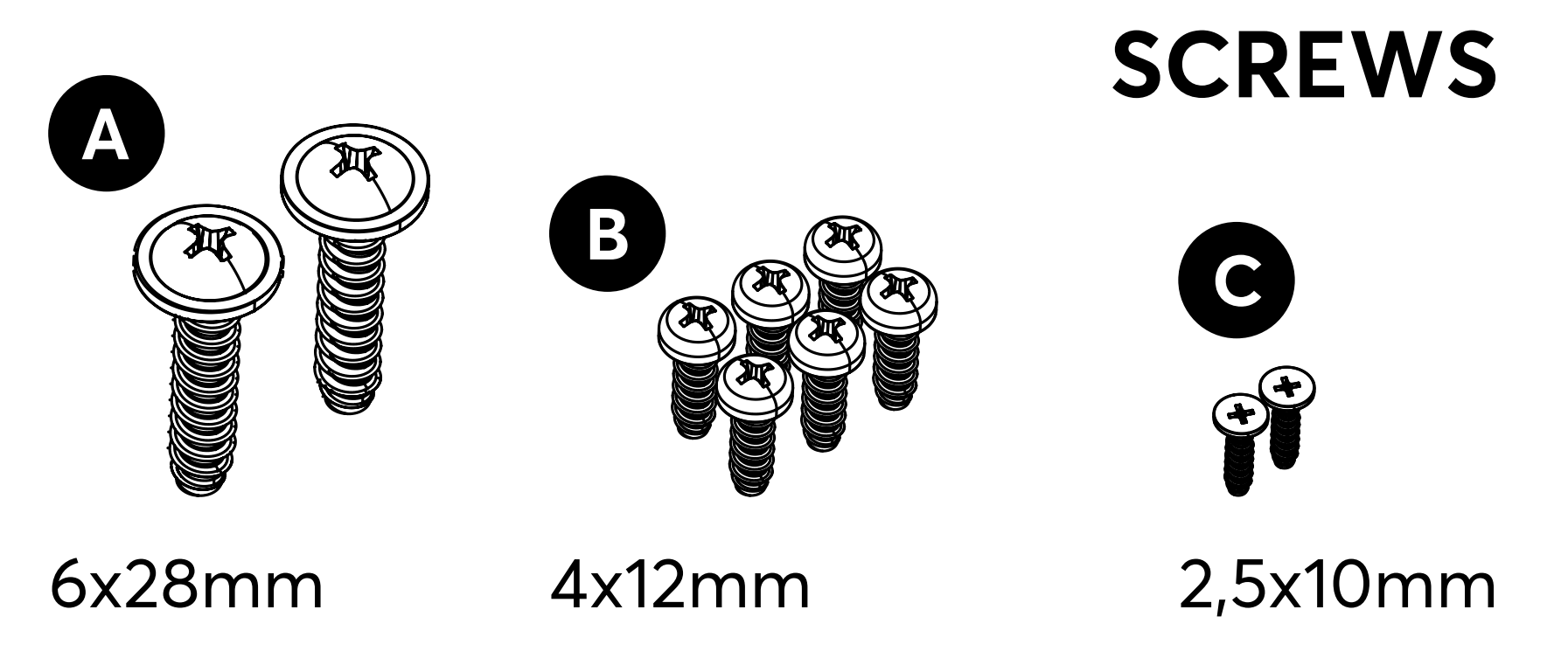
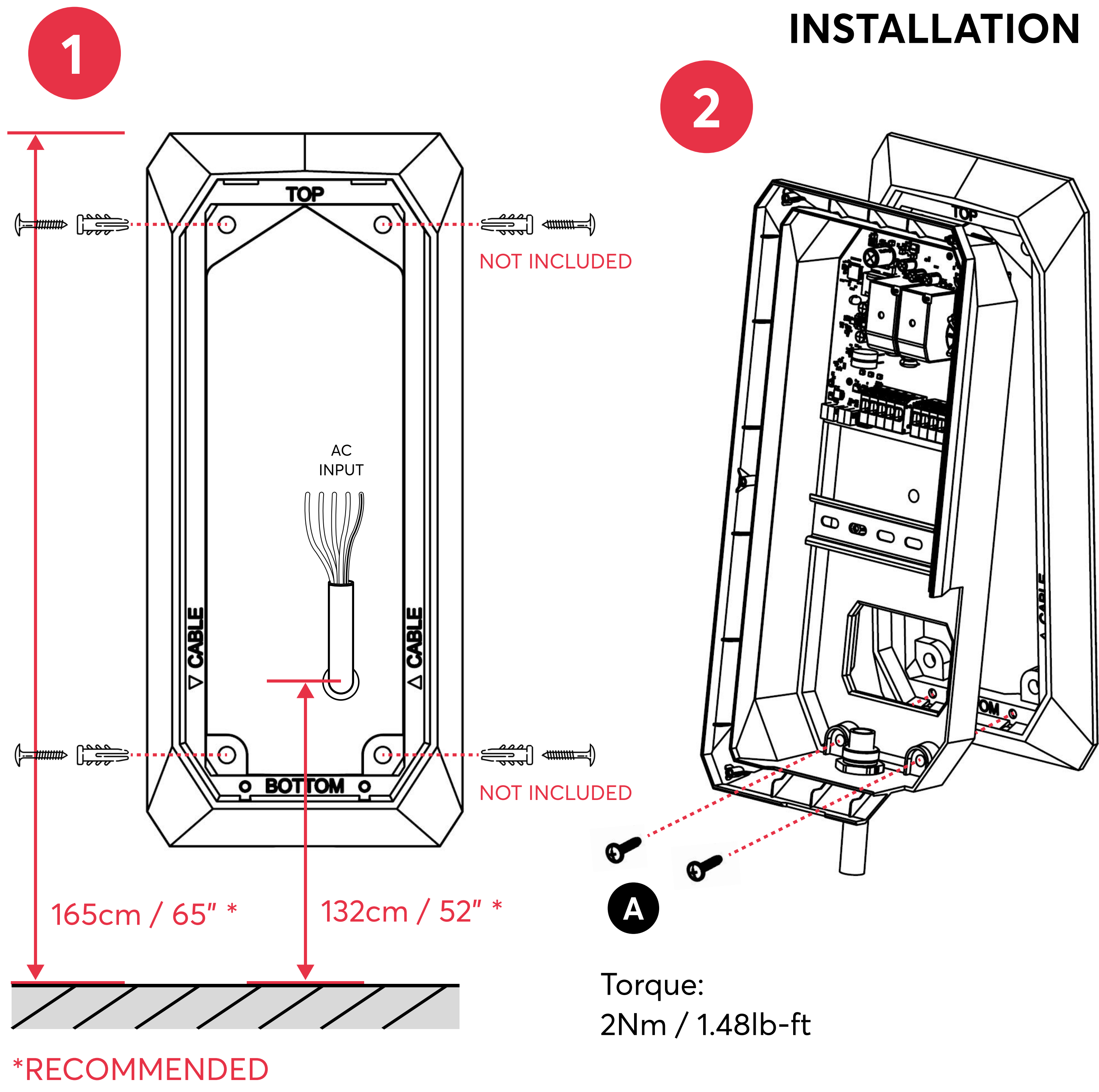
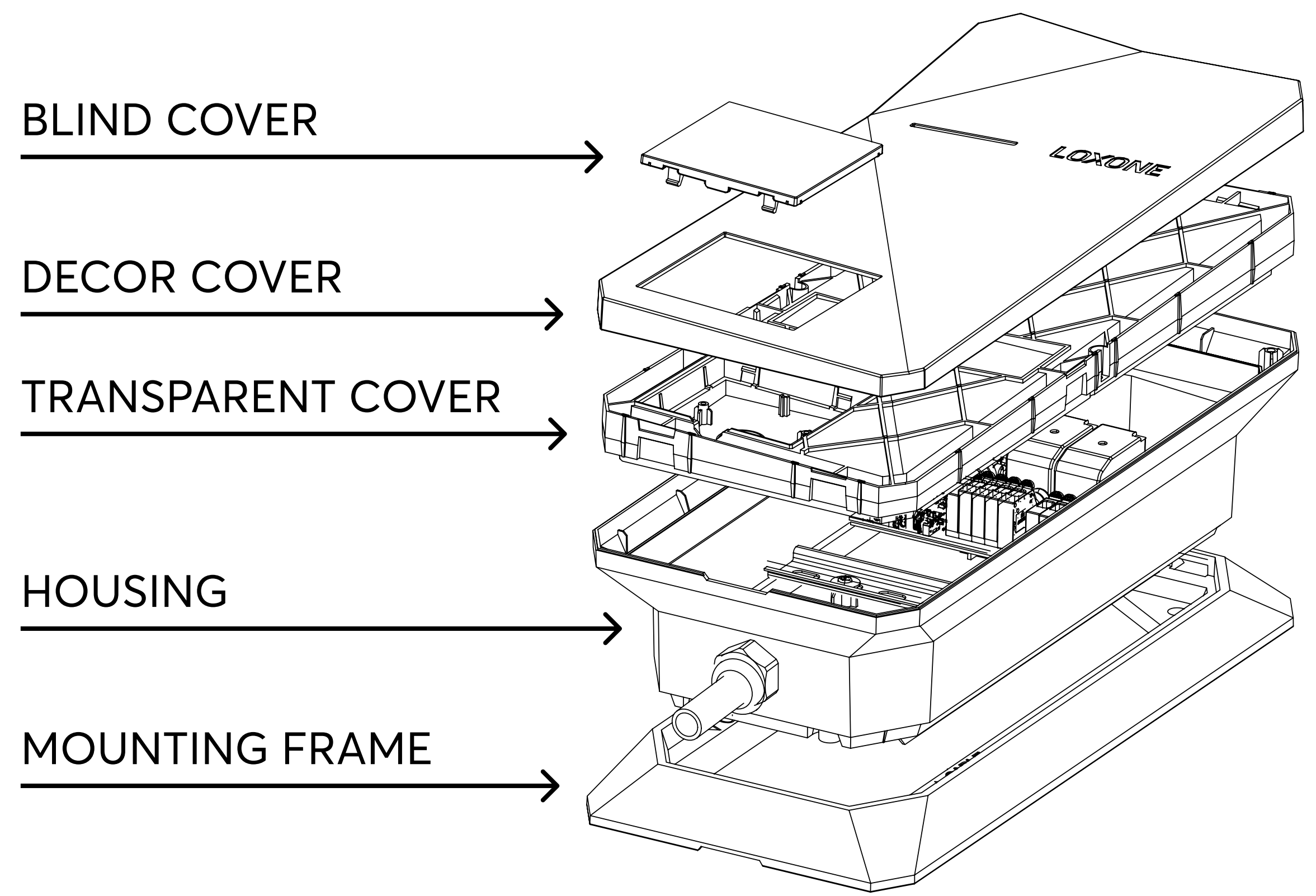


INSTALLATION INSTRUCTIONS

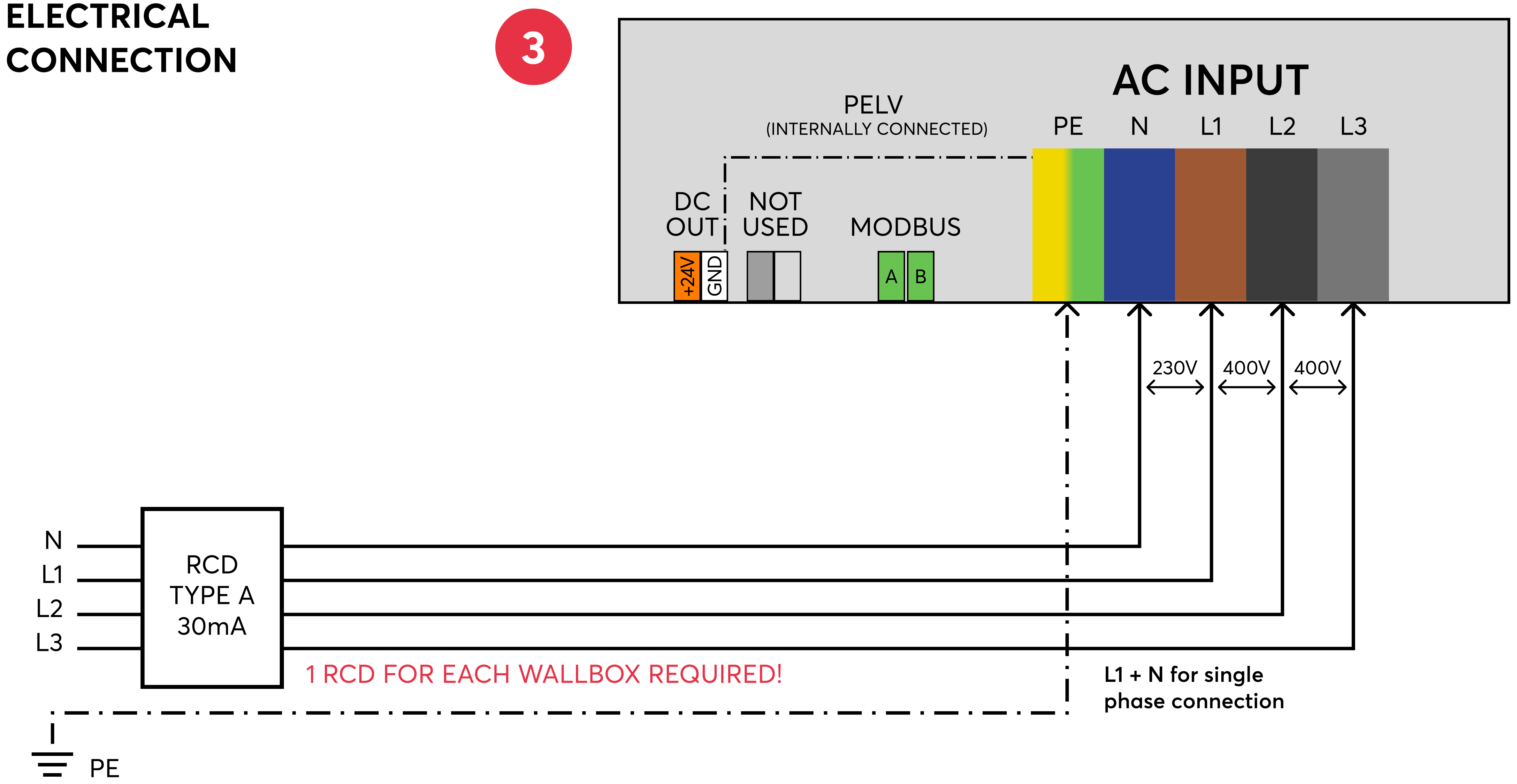
Wallbox 11kW

16A Air

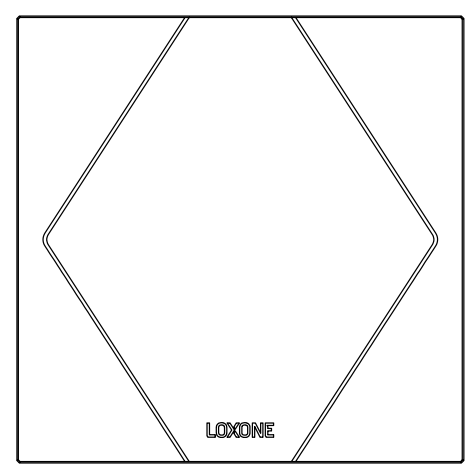
PART NO.: 100527



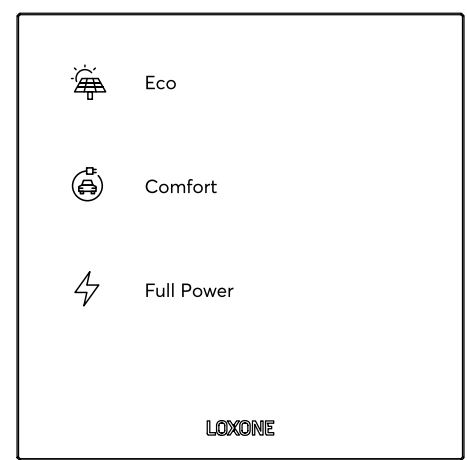
ELECTRICAL CONNECTION



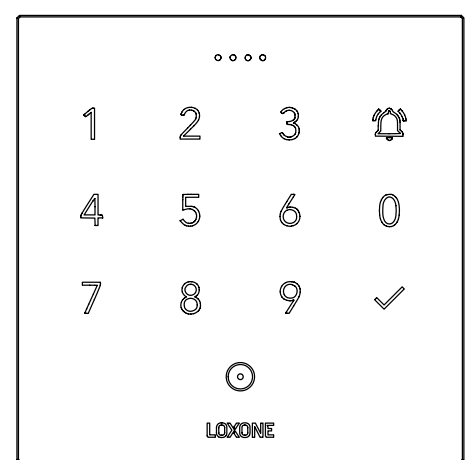
OPTIONAL



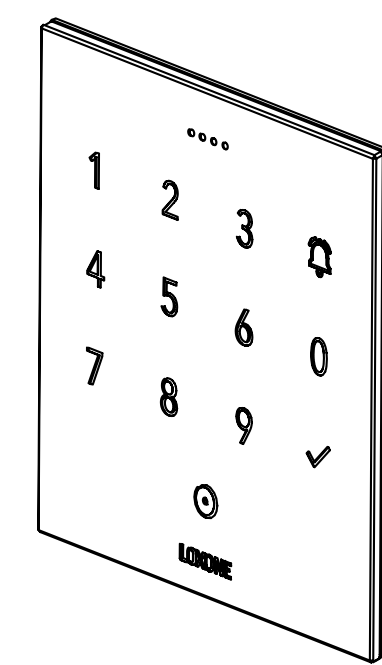
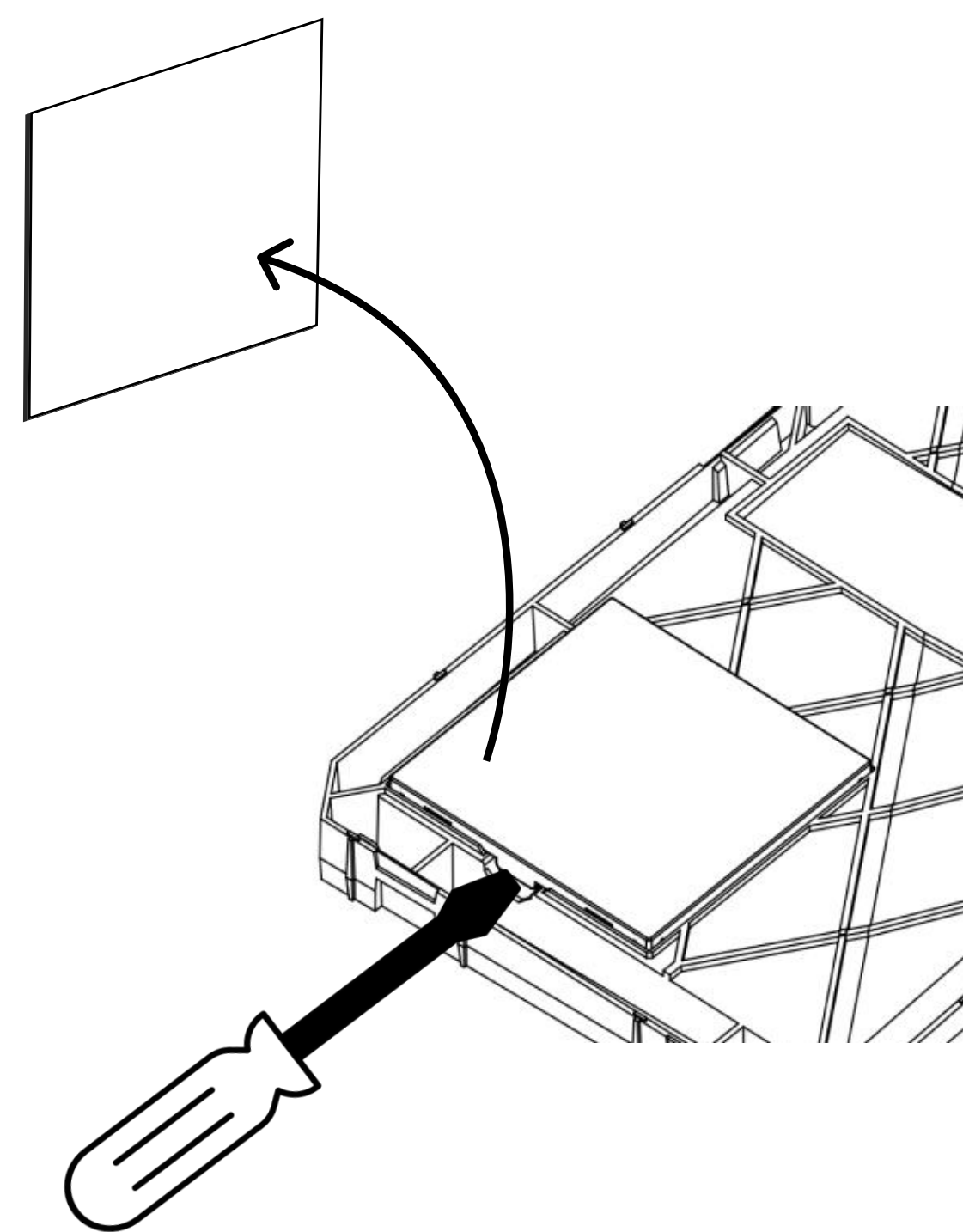
TOUCH
PURE AIR



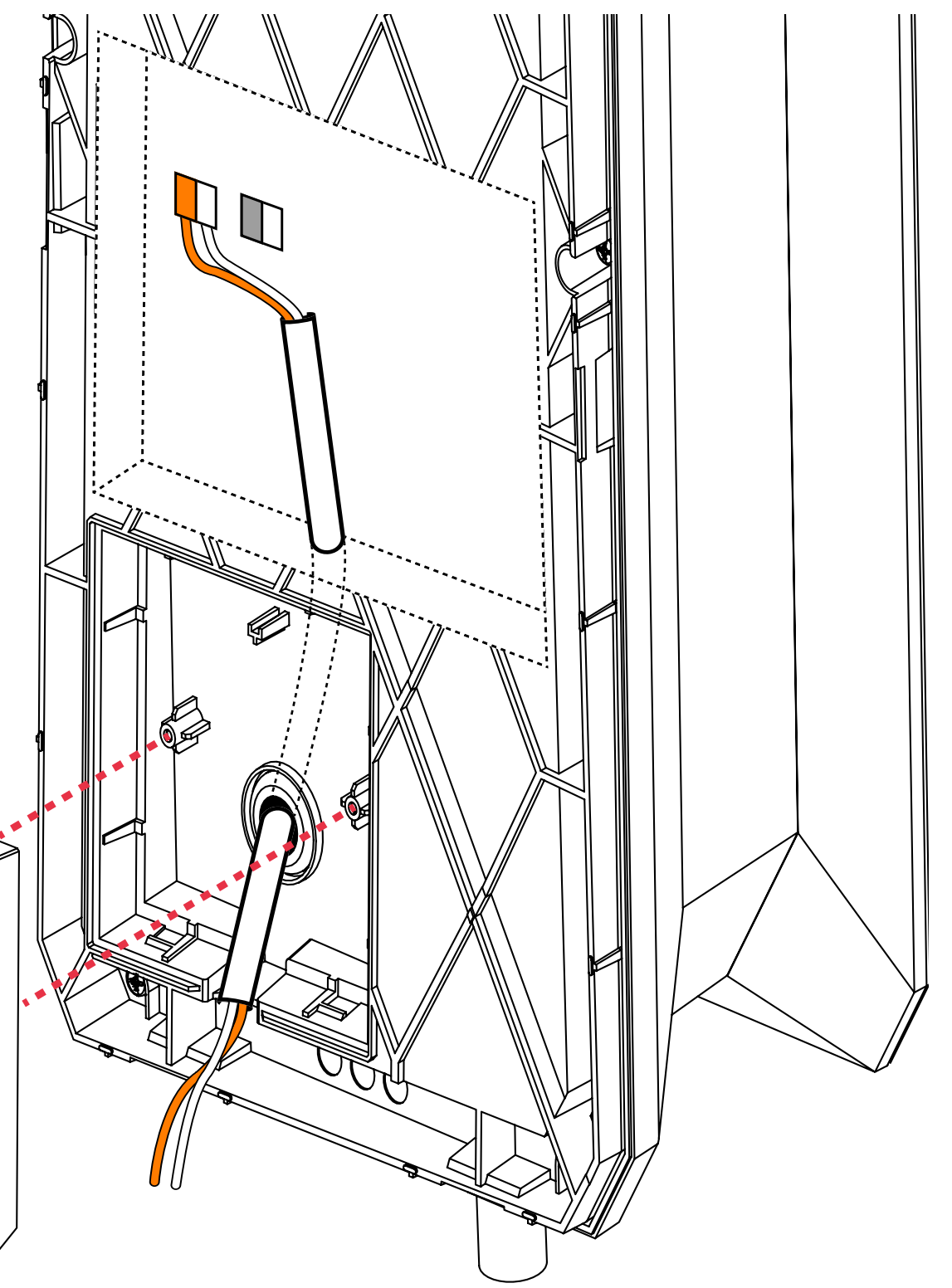
TOUCH
PURE FLEX
AIR



NFC CODE
TOUCH AIR

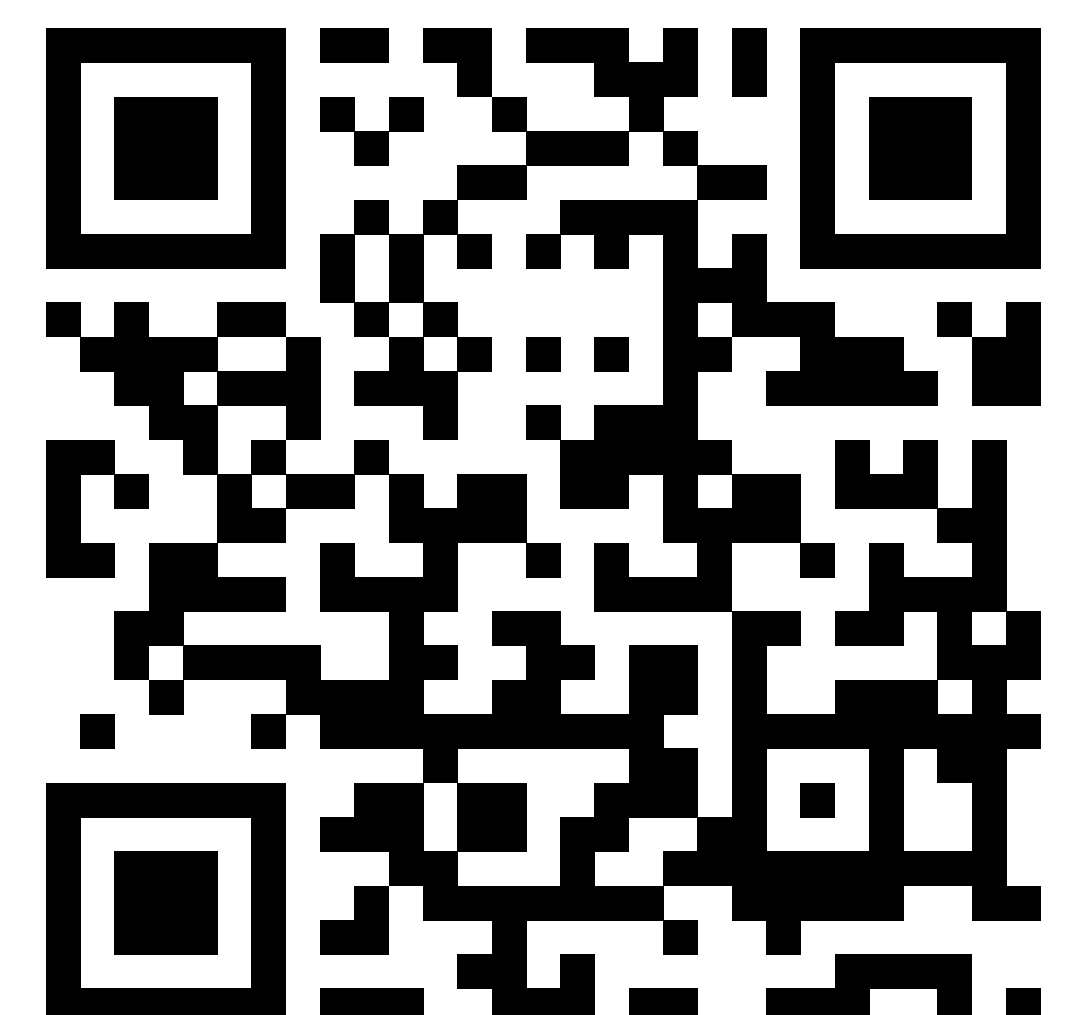
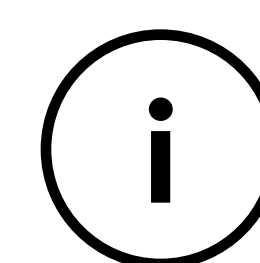
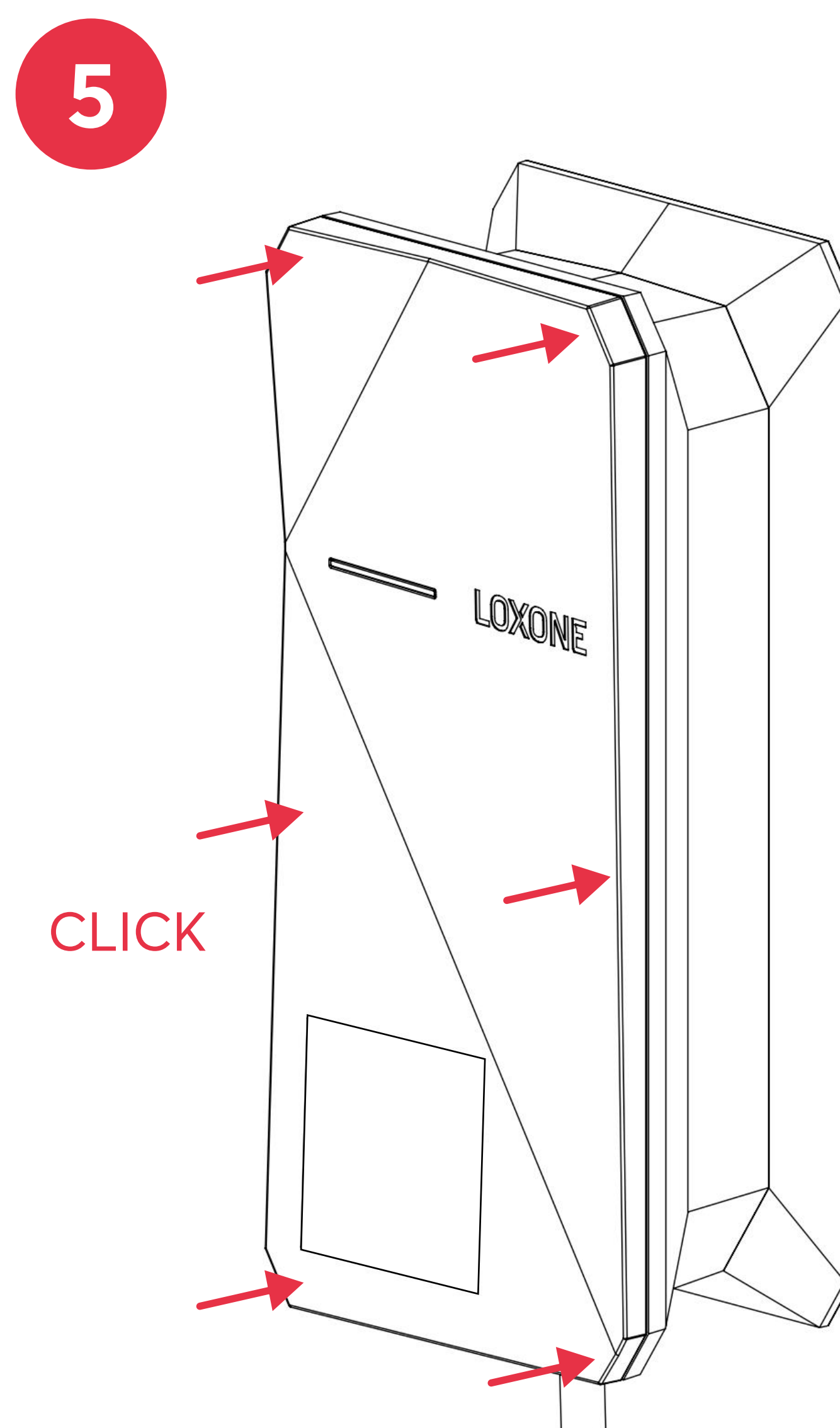
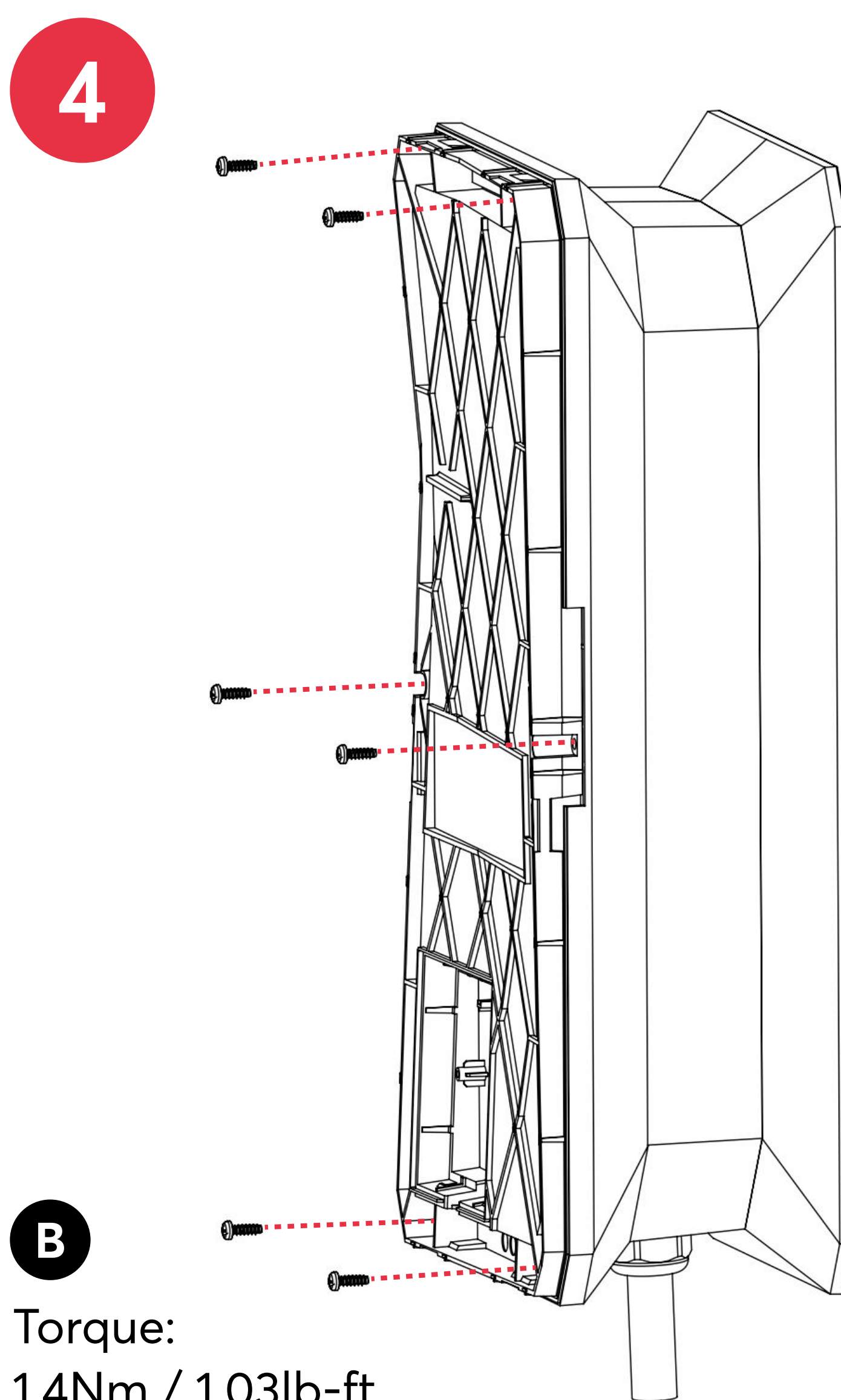
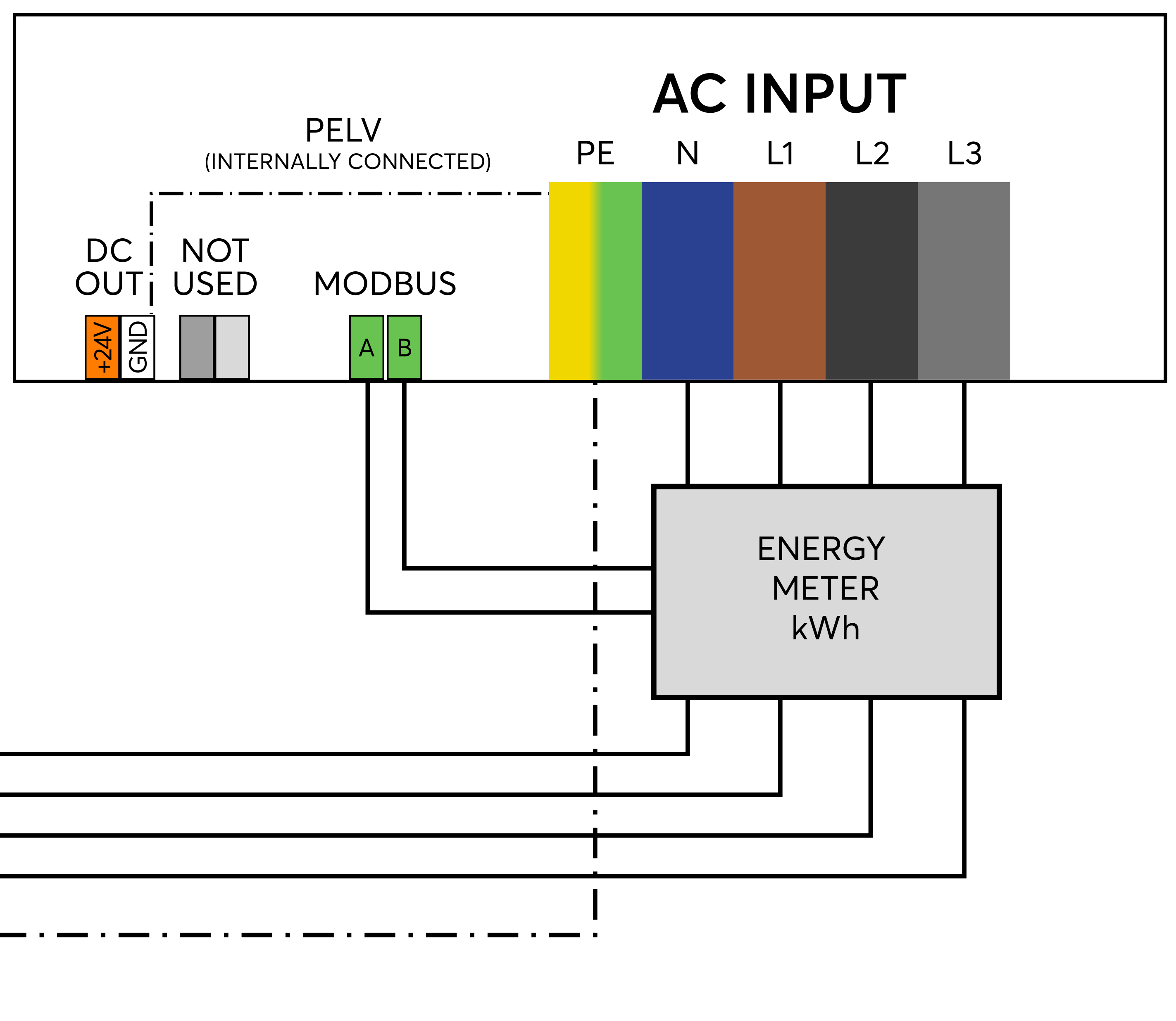


Torque:
0.8Nm / 0.59lb-ft



OPTIONAL

MODBUS ENERGY METER
EASTRON SDM630
PART NO.: 200426
RECOMMENDED



FOR MORE INFORMATION
ABOUT THIS PRODUCT,
PLEASE VISIT
**LOXONE.COM/HELP/
WALLBOX-AIR**