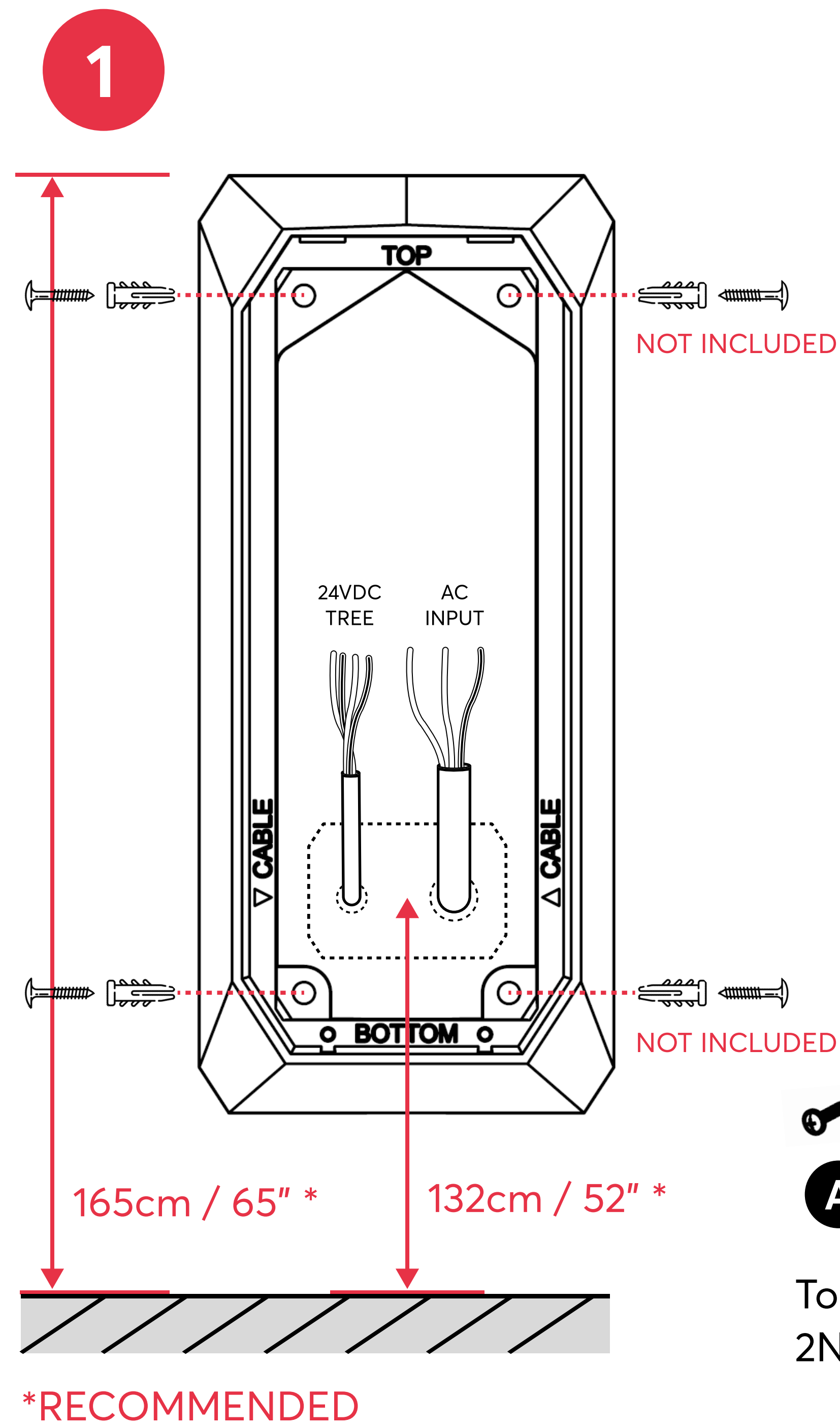
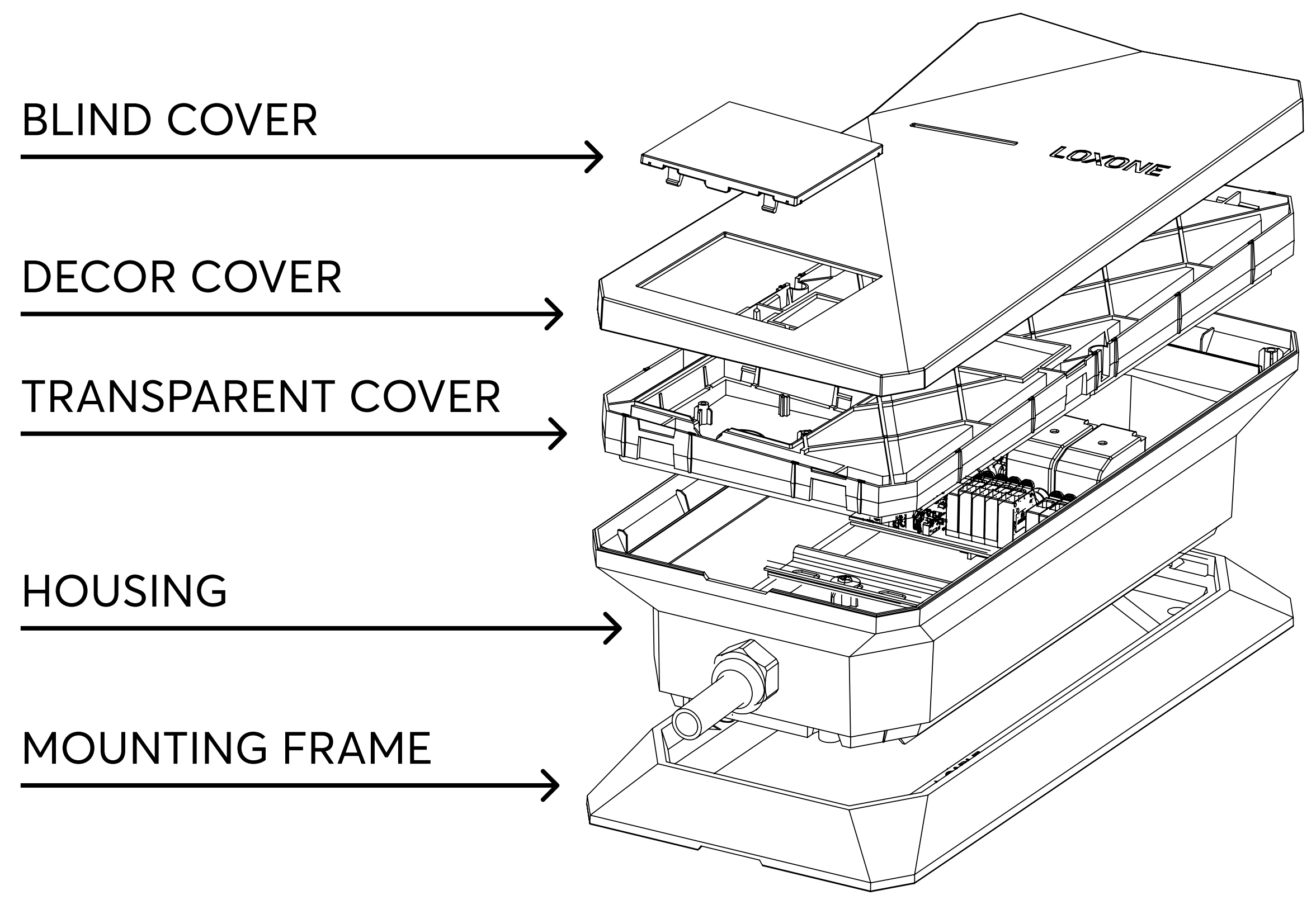


INSTALLATION INSTRUCTIONS

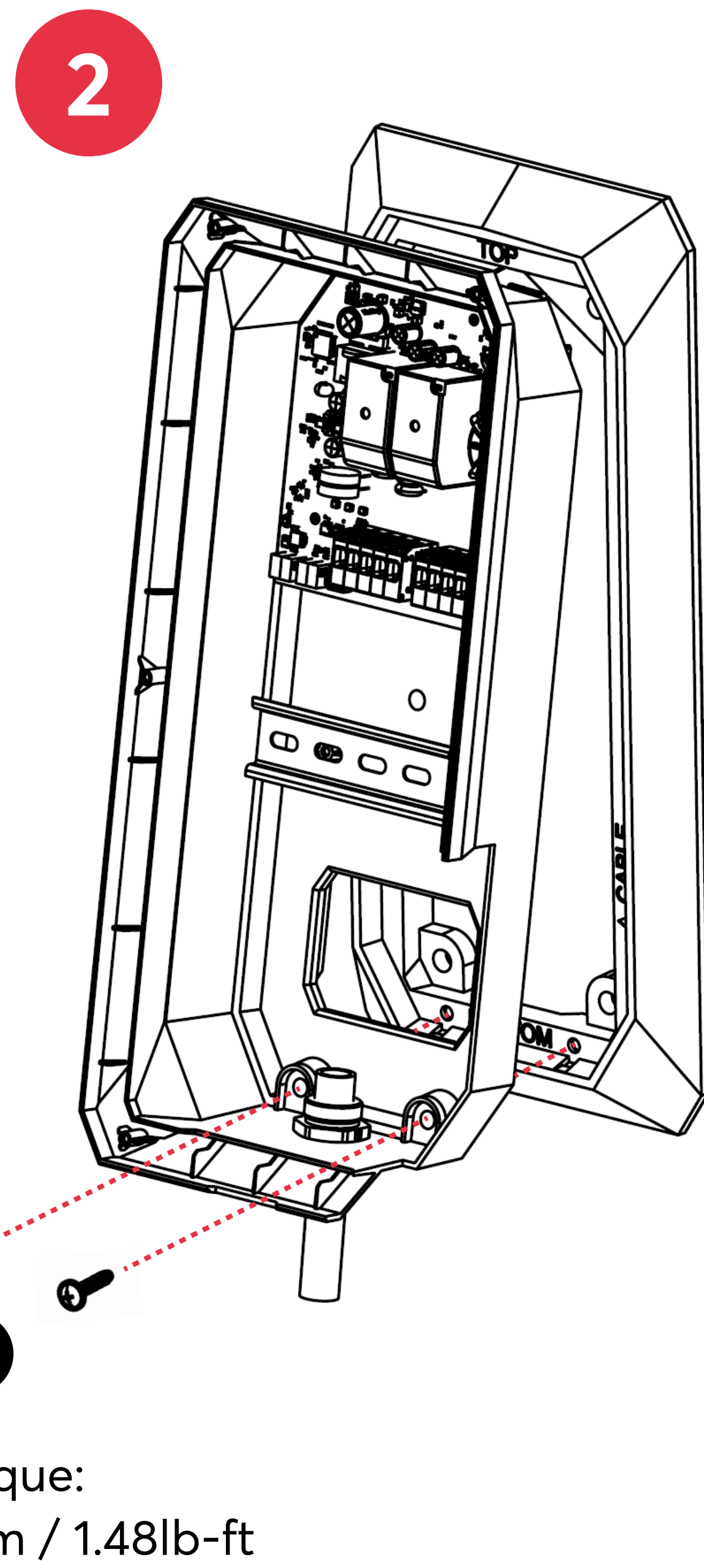
Wallbox 7.4kW

32A Tree

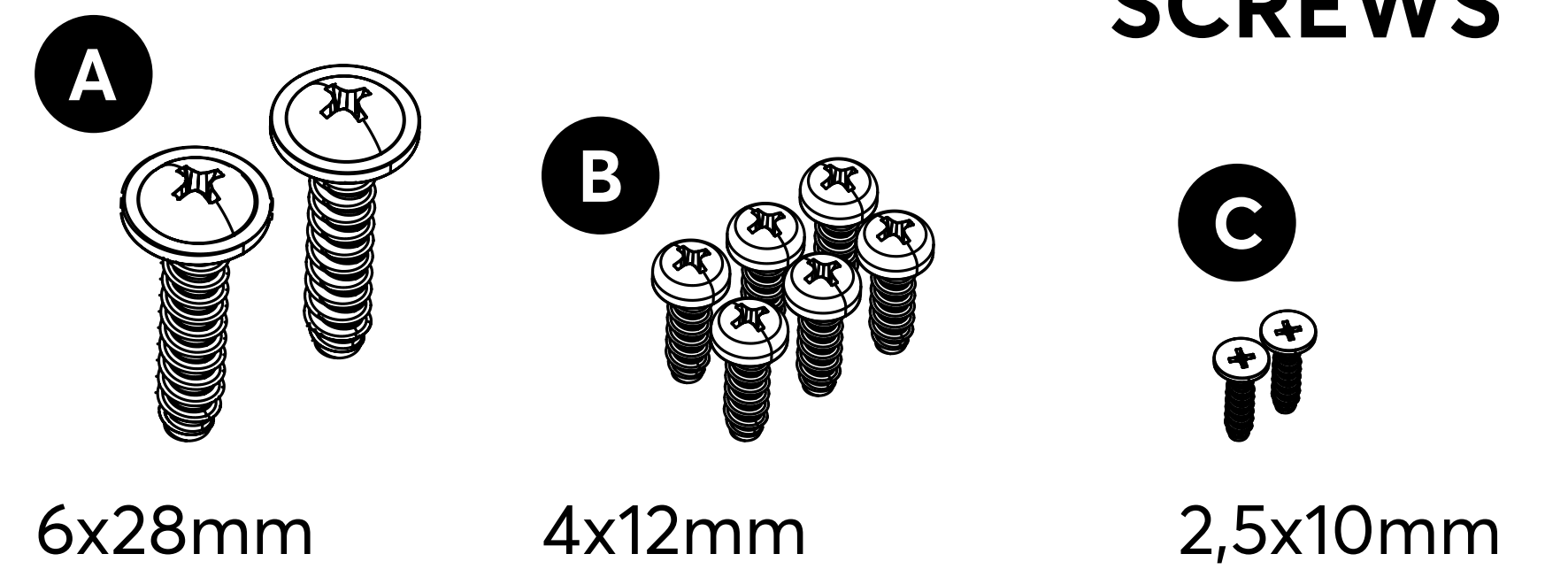
PART NO.: 100535



INSTALLATION

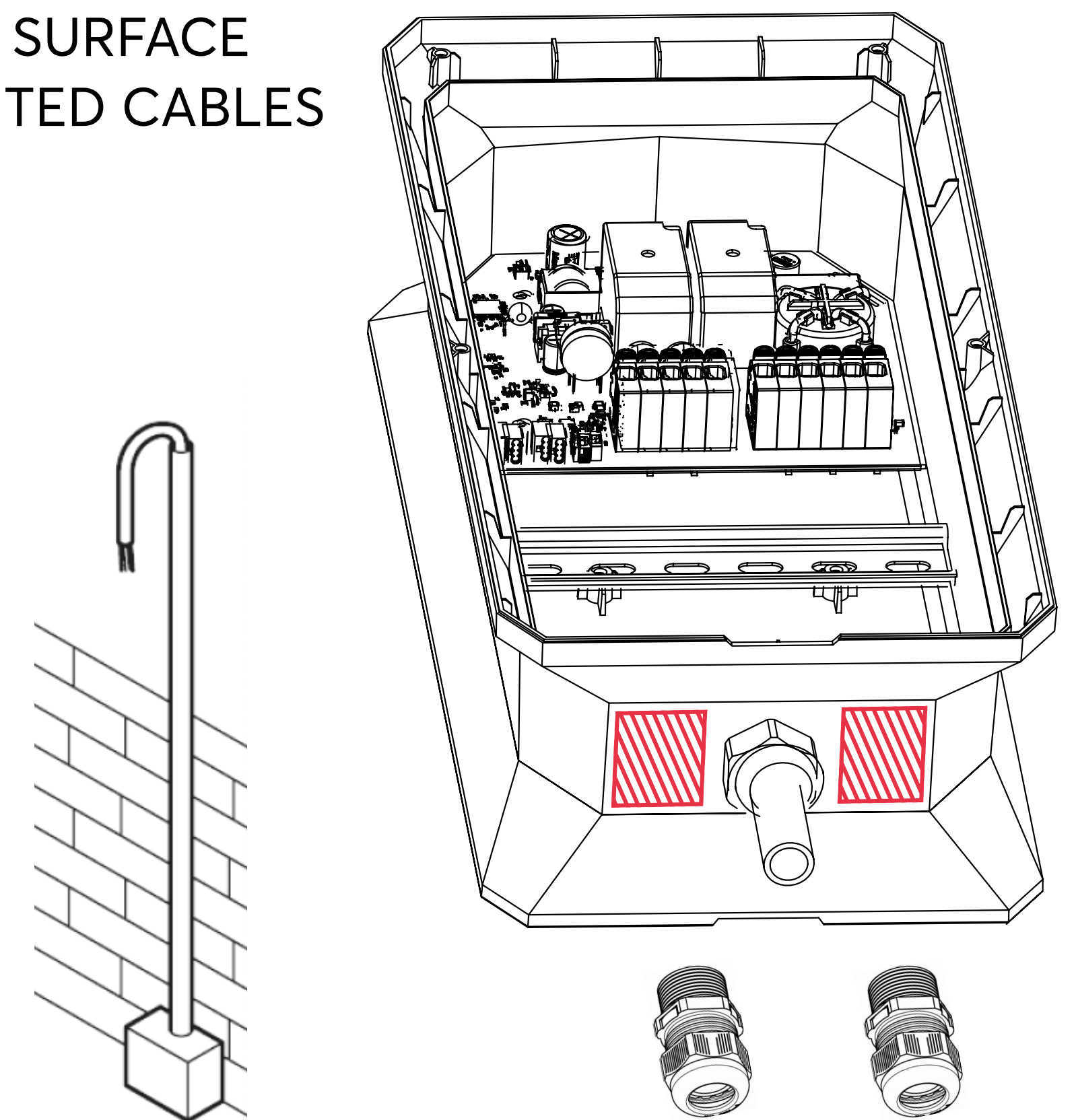


SCREWS

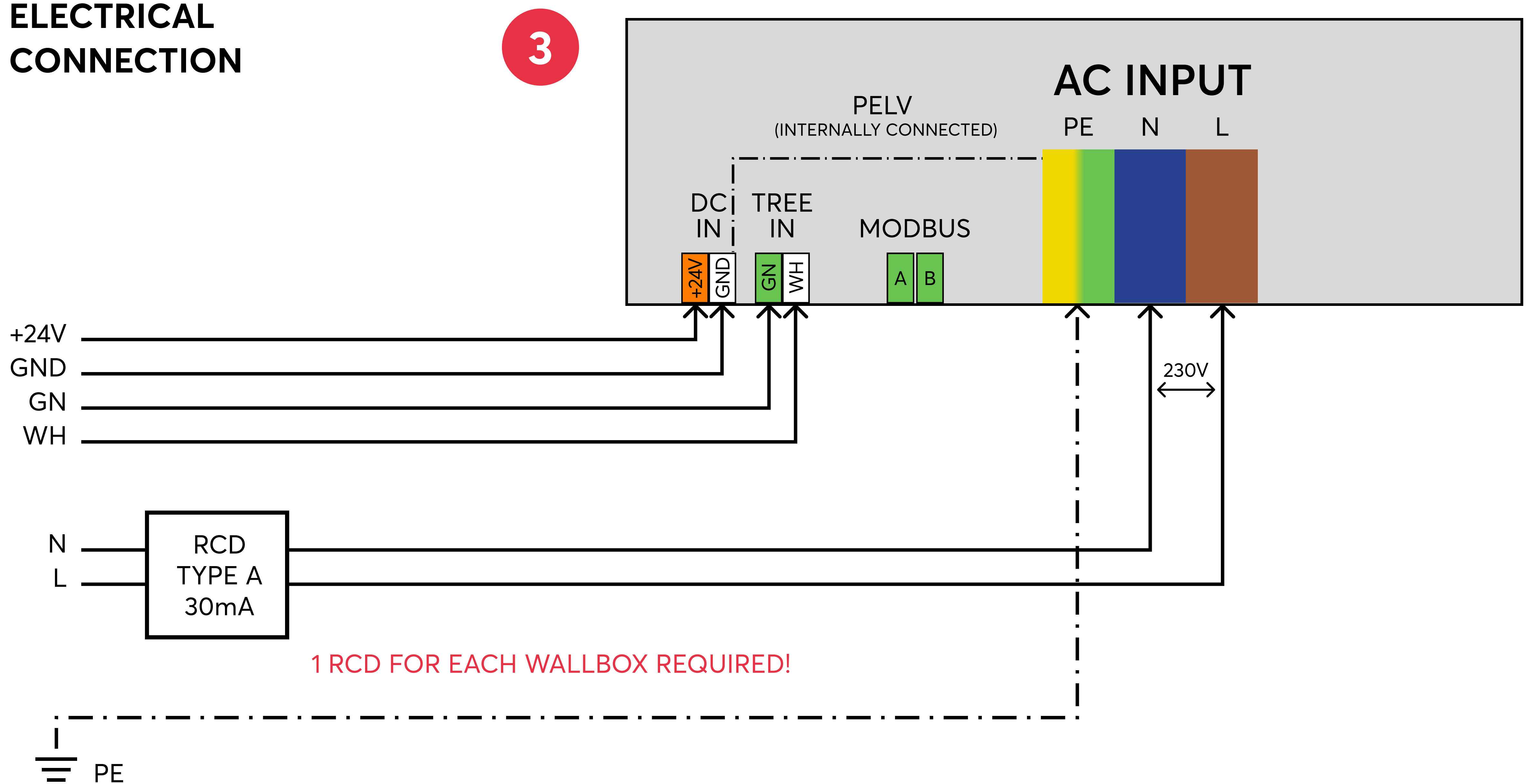


OPTIONAL

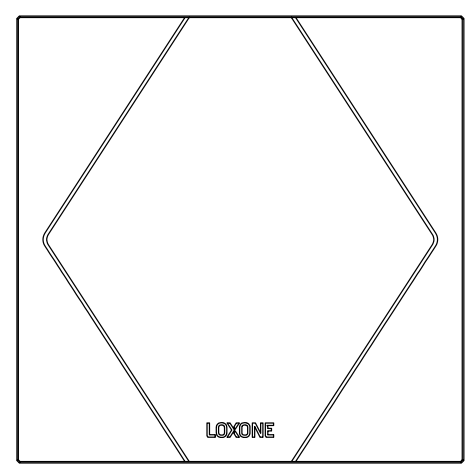
FOR SURFACE
ROUTED CABLES



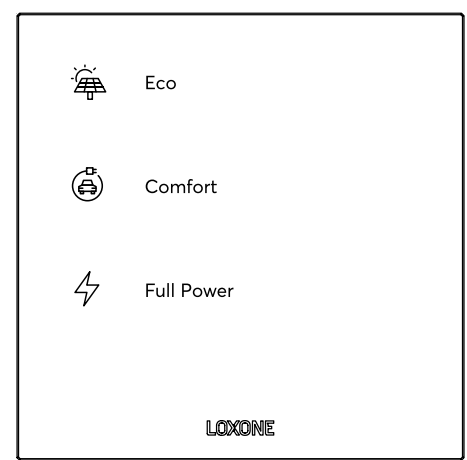
ELECTRICAL CONNECTION



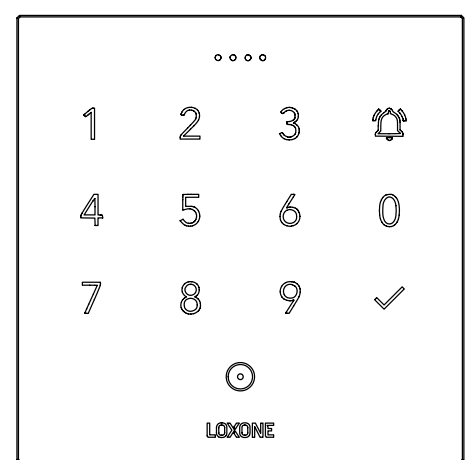
OPTIONAL



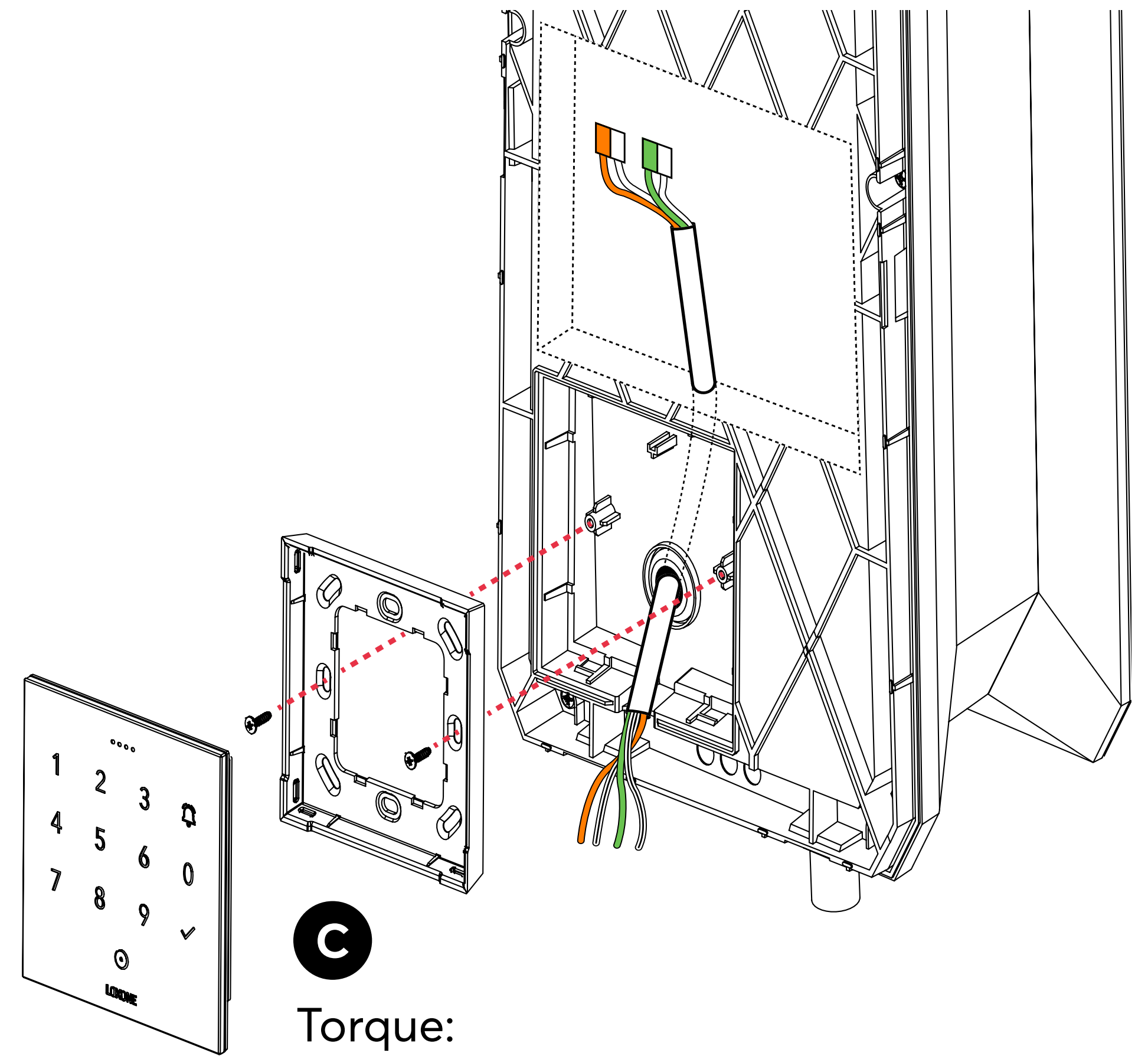
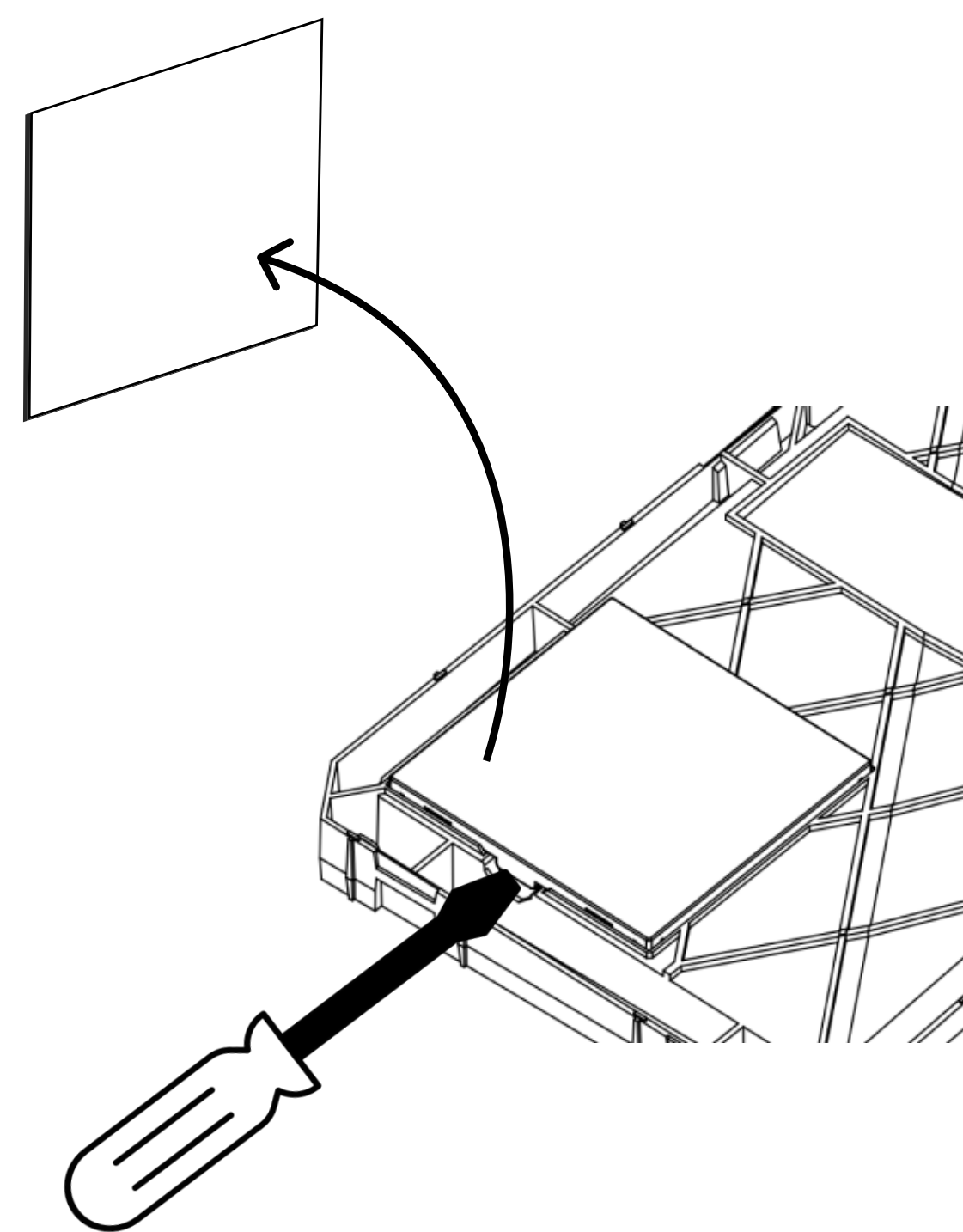
TOUCH
PURE



TOUCH
PURE FLEX



NFC CODE
TOUCH

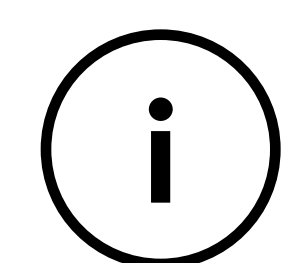
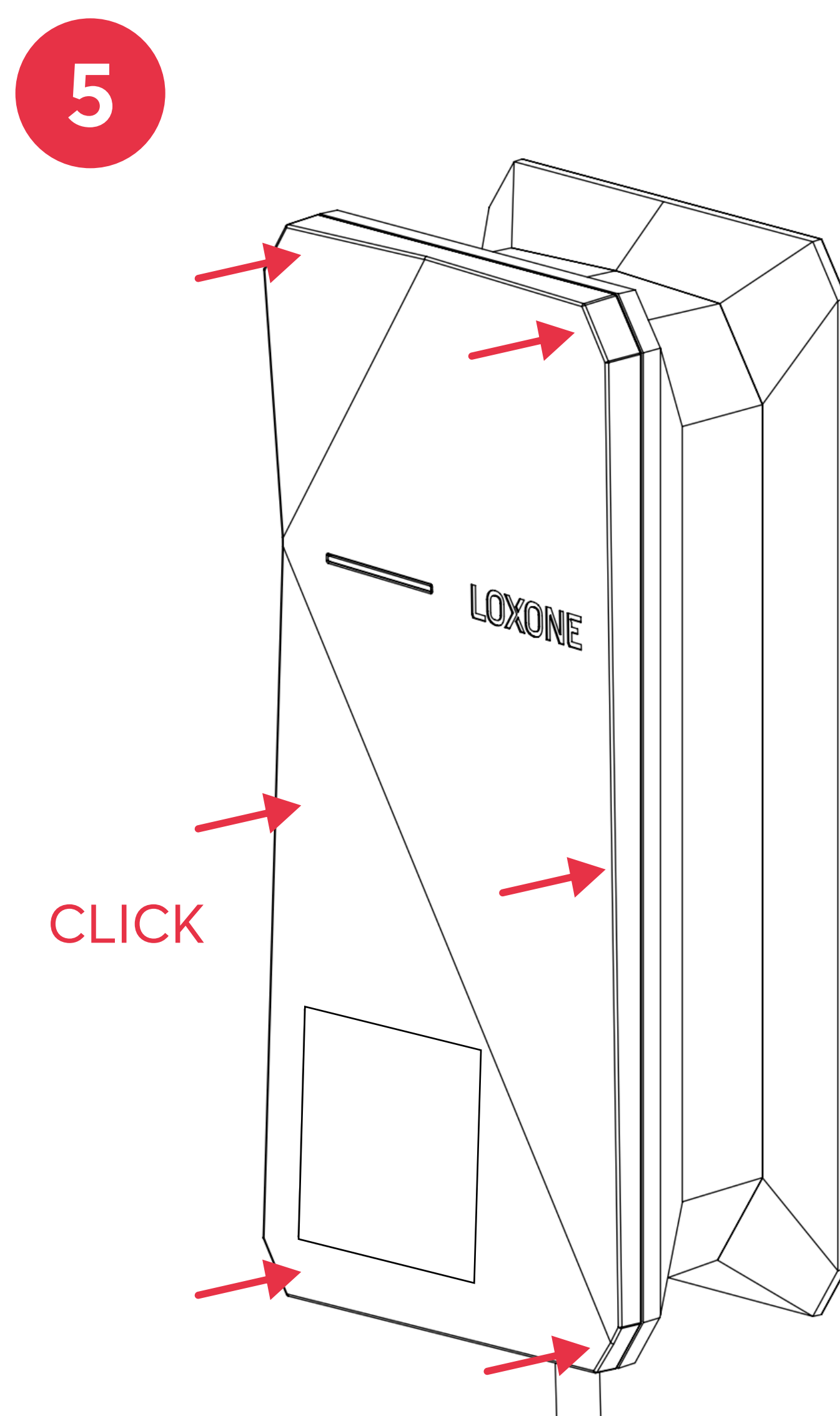
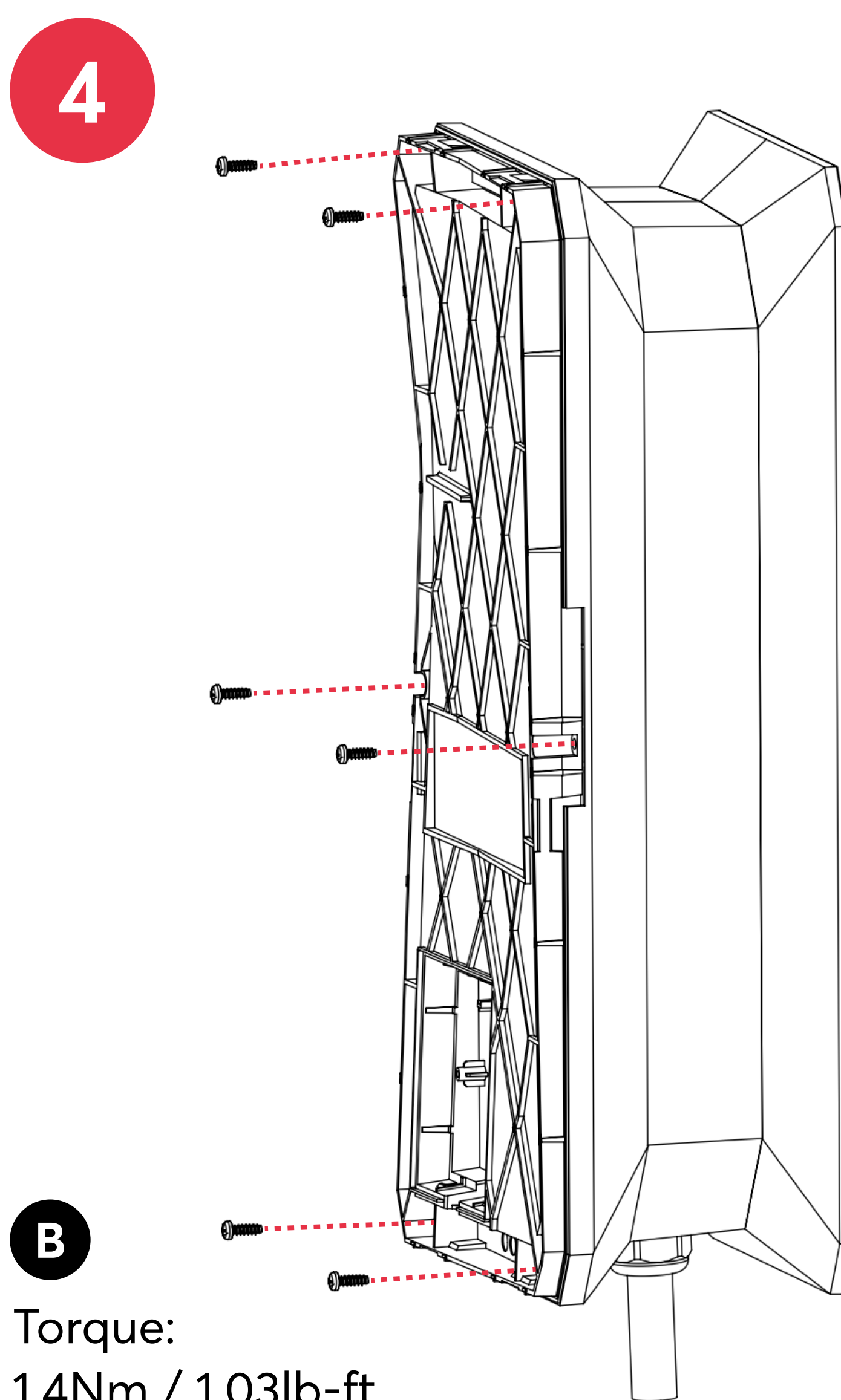
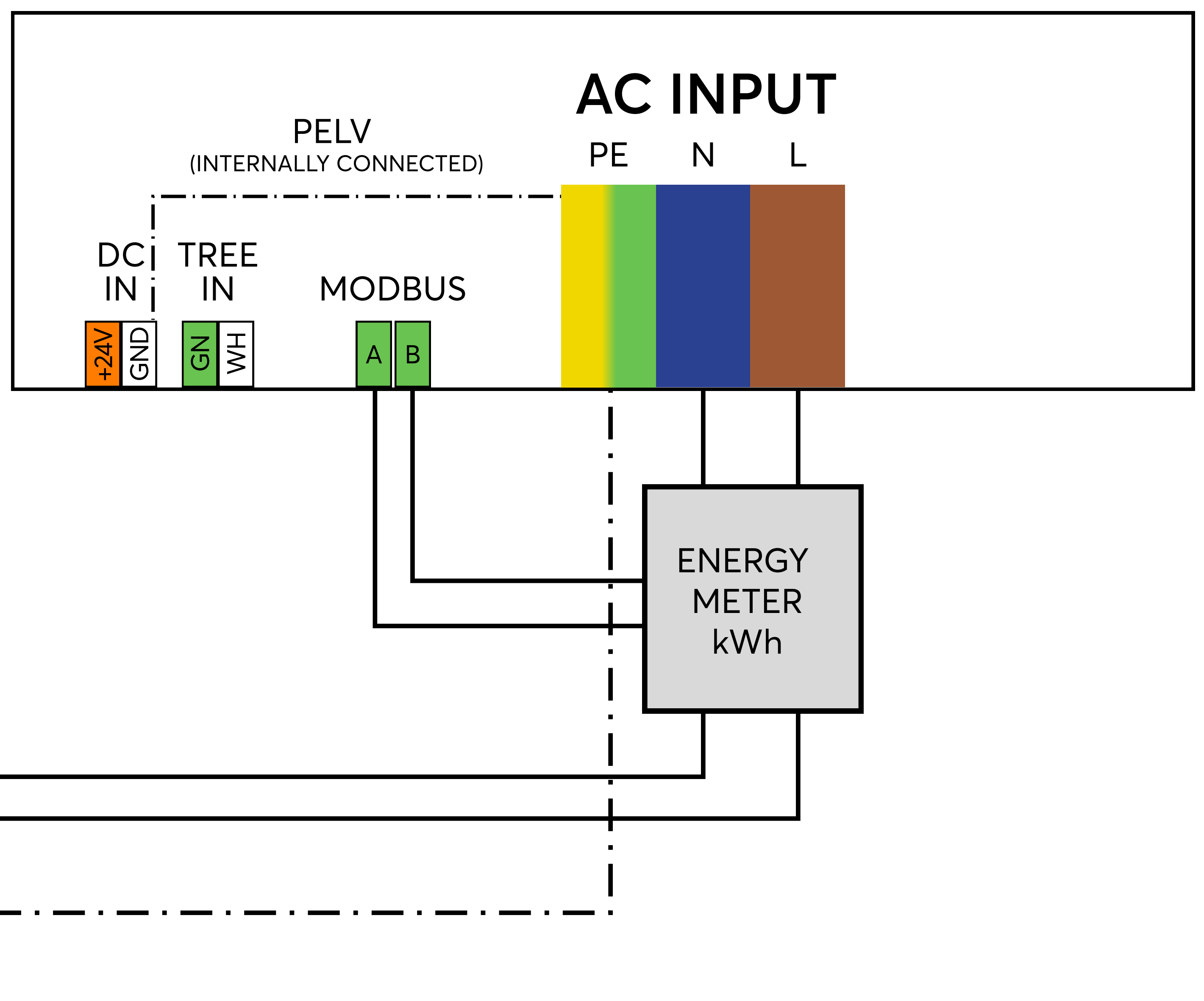


C
Torque:
0.8Nm / 0.59lb-ft

OPTIONAL

A LOXONE
ENERGY METER IS
RECOMMENDED!

PART NO.: 200156



FOR MORE INFORMATION
ABOUT THIS PRODUCT,
PLEASE VISIT
**LOXONE.COM/HELP/
WALLBOX-7KW32A-TREE**