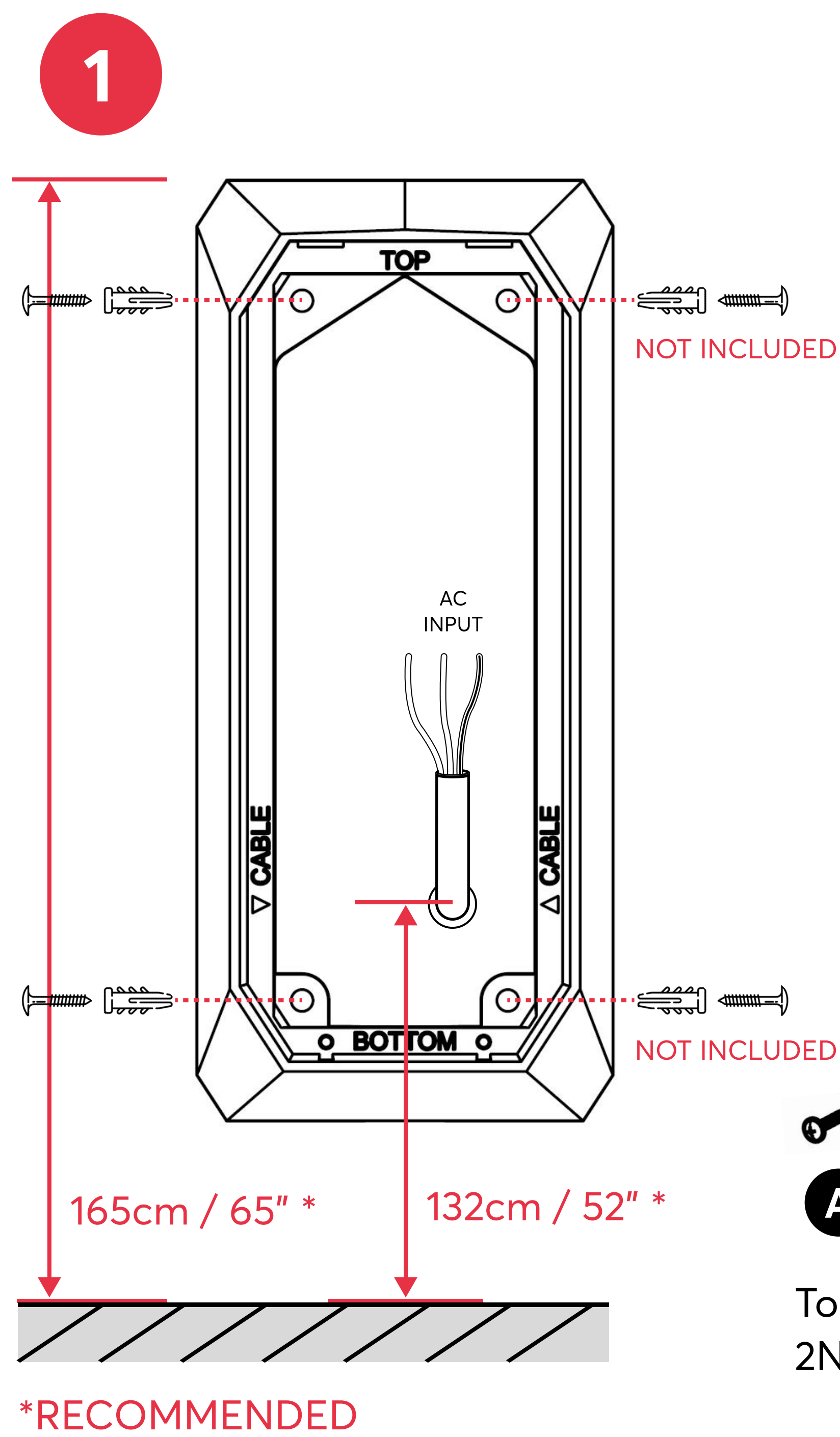
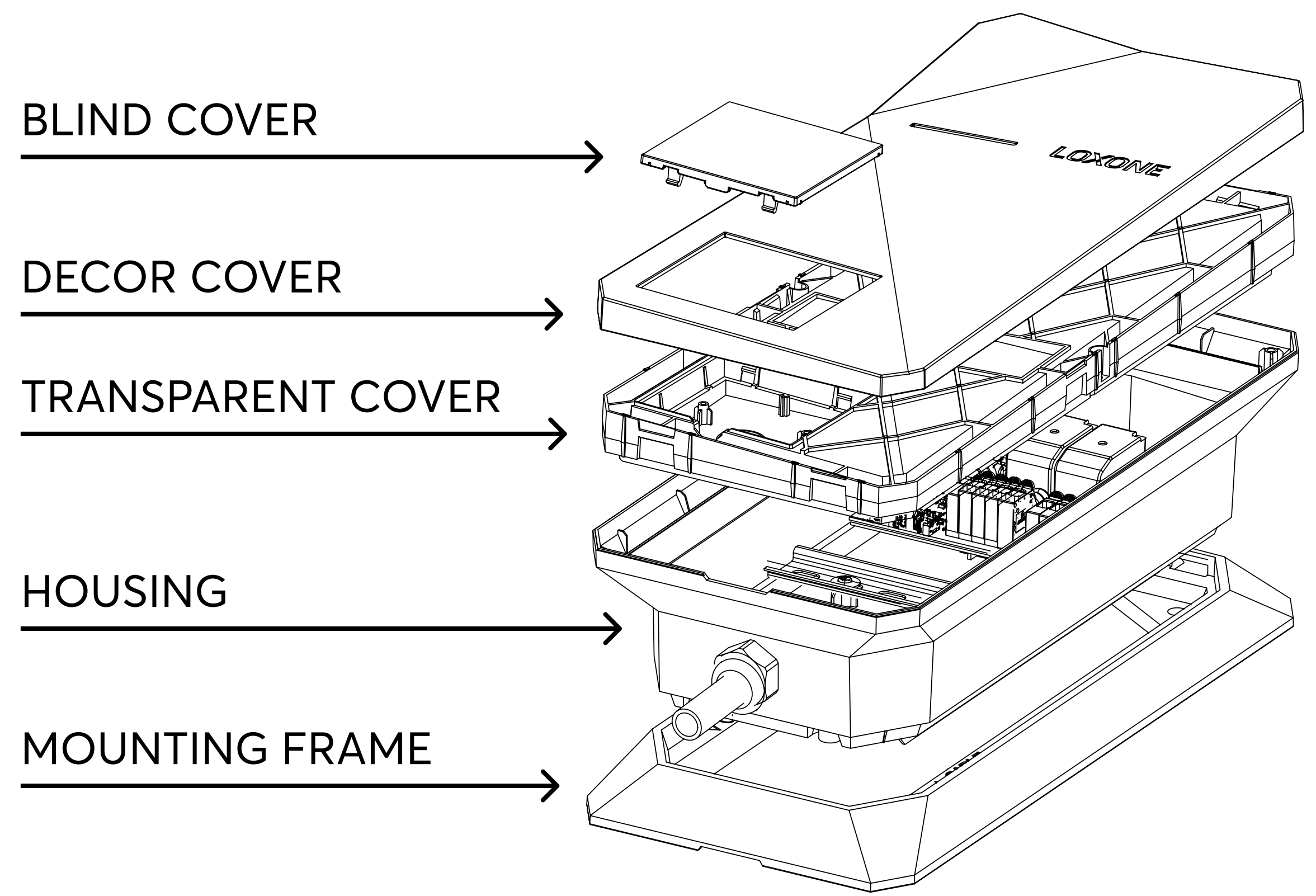


INSTALLATION INSTRUCTIONS

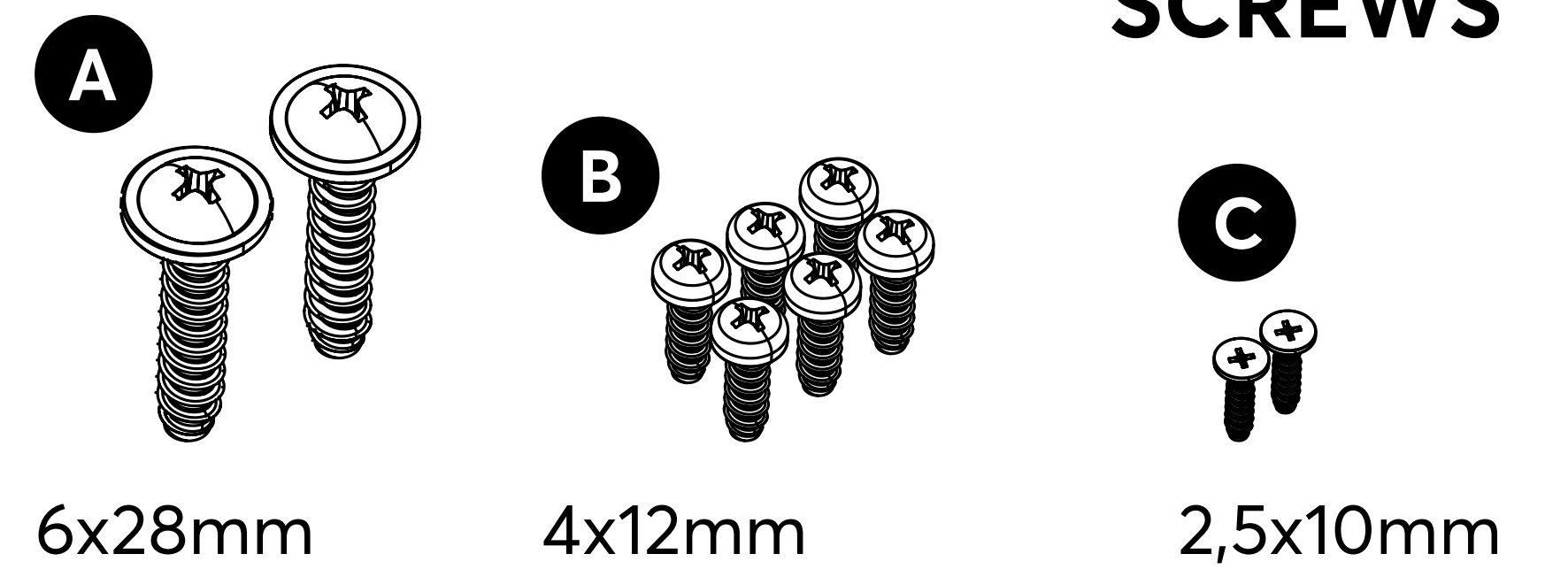
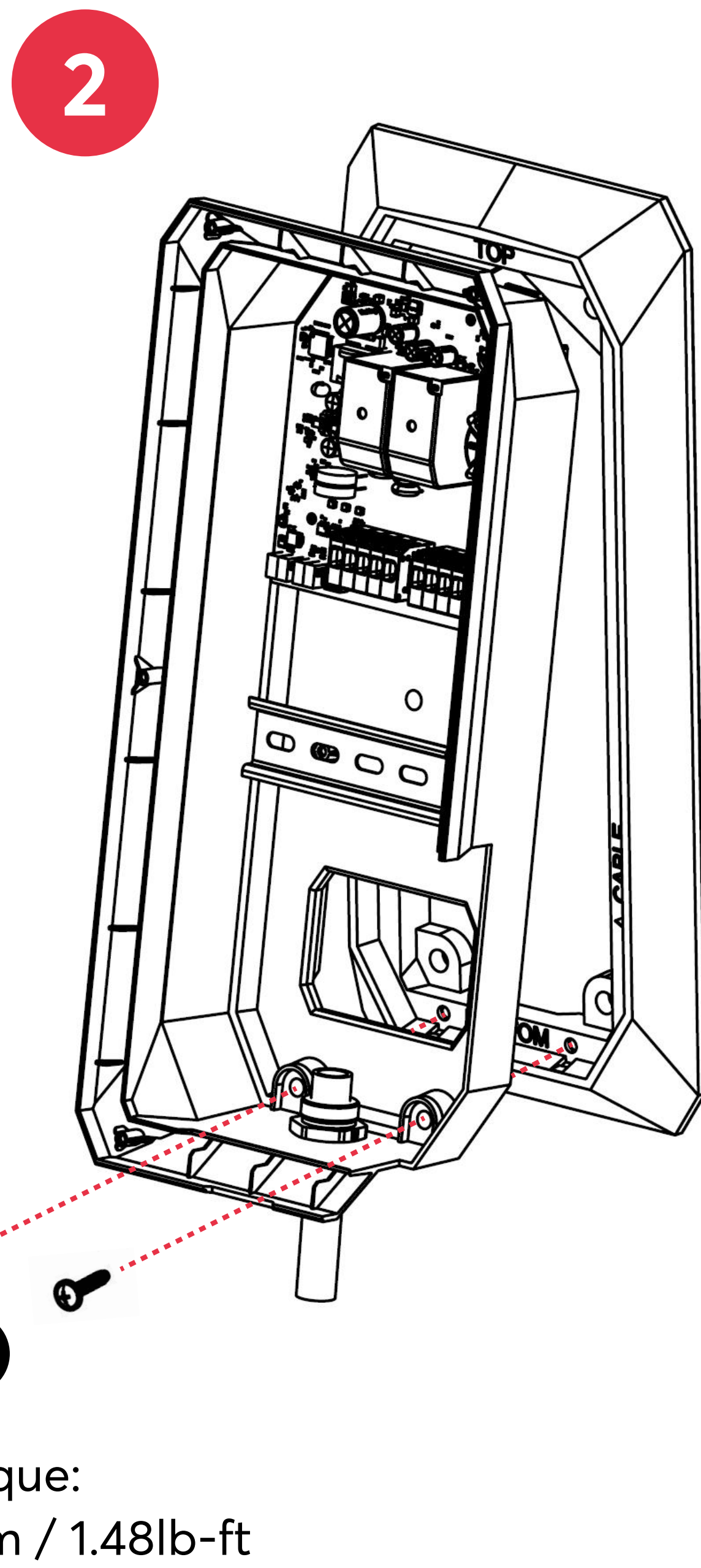
Wallbox 7.4kW

32A Air

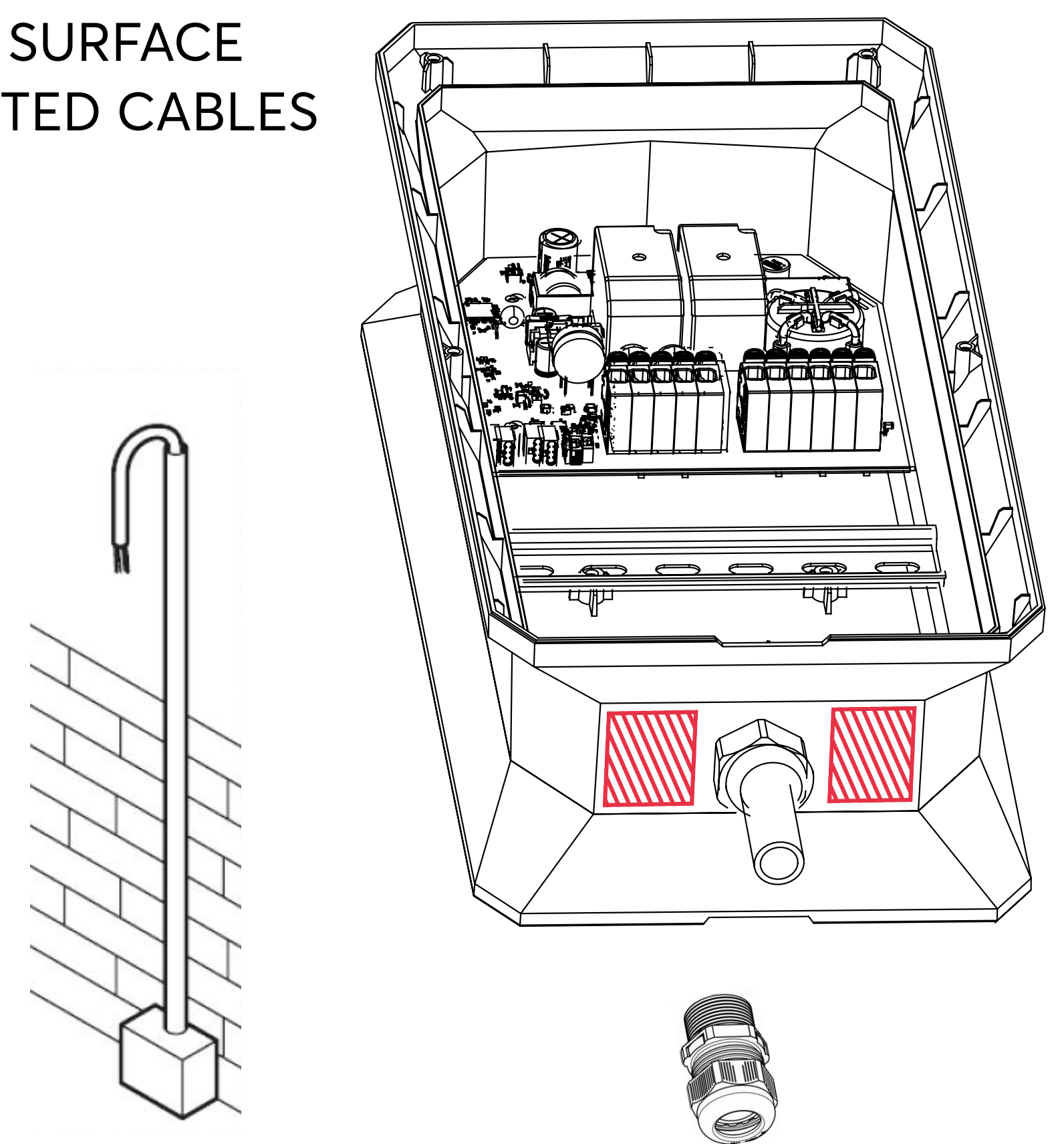
PART NO.: 100536



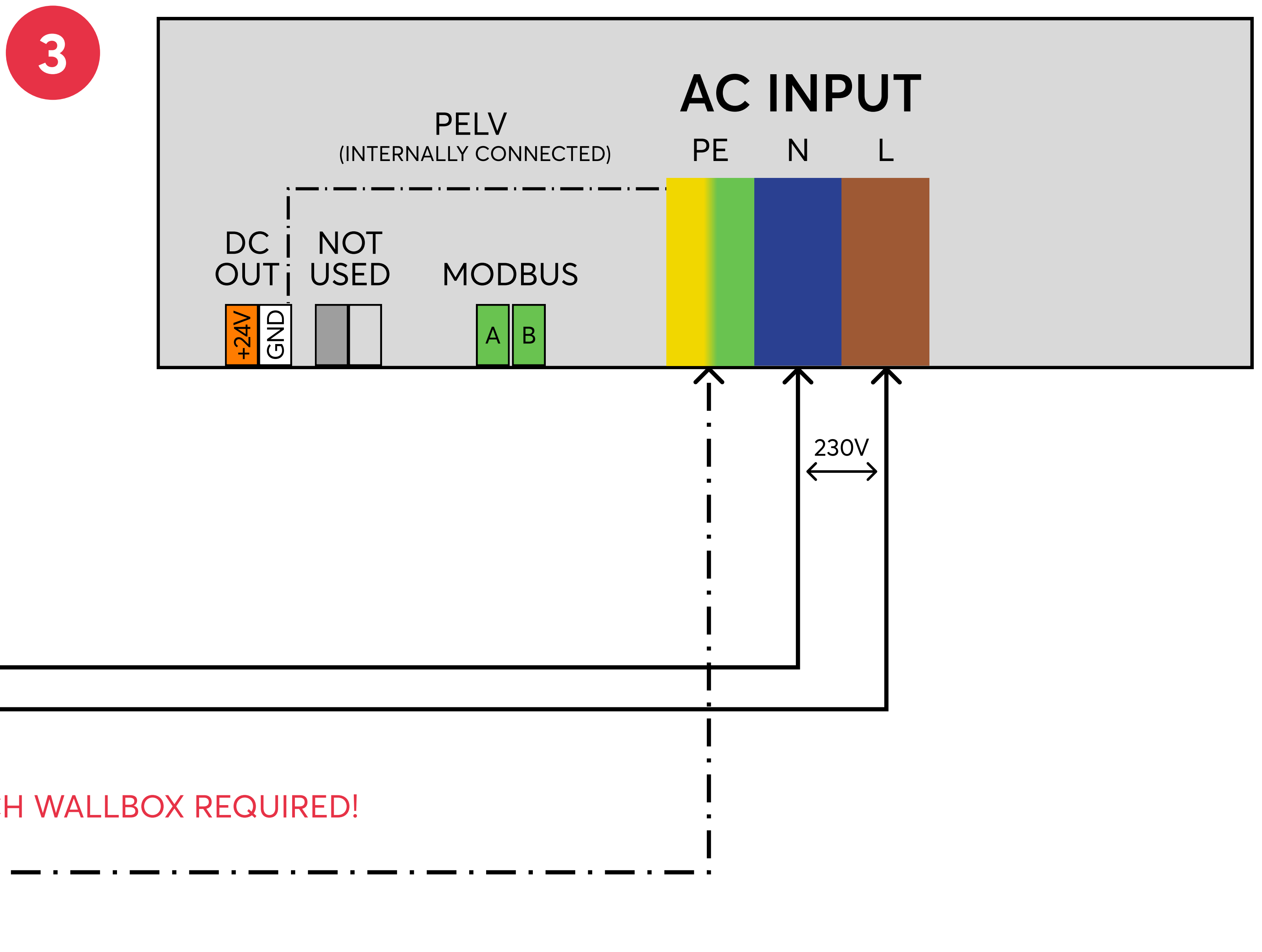
INSTALLATION



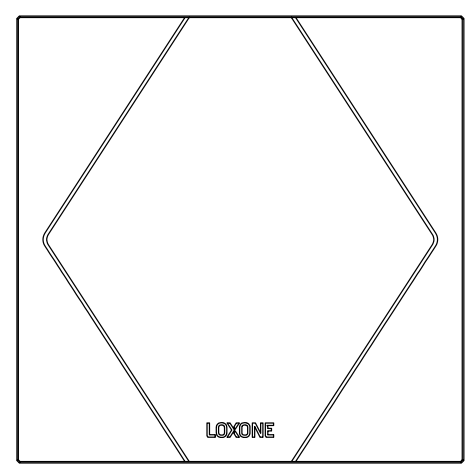
OPTIONAL FOR SURFACE ROUTED CABLES



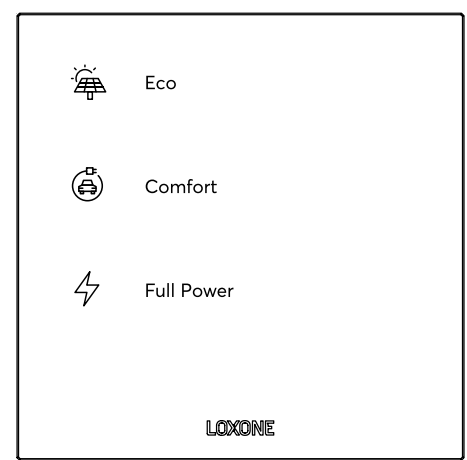
ELECTRICAL CONNECTION



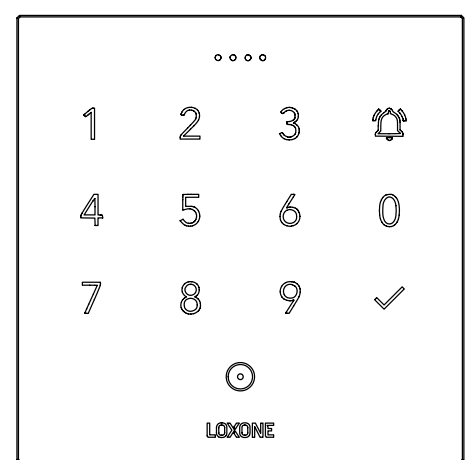
OPTIONAL



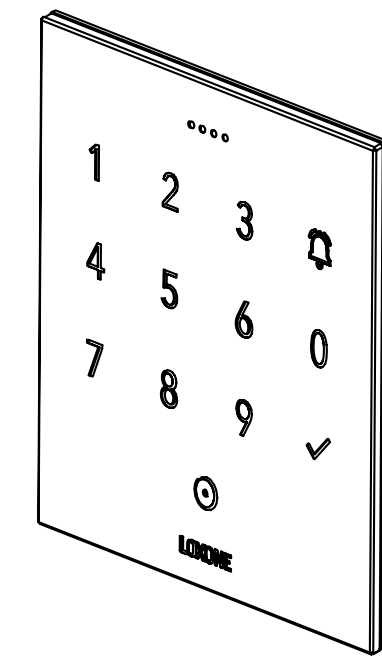
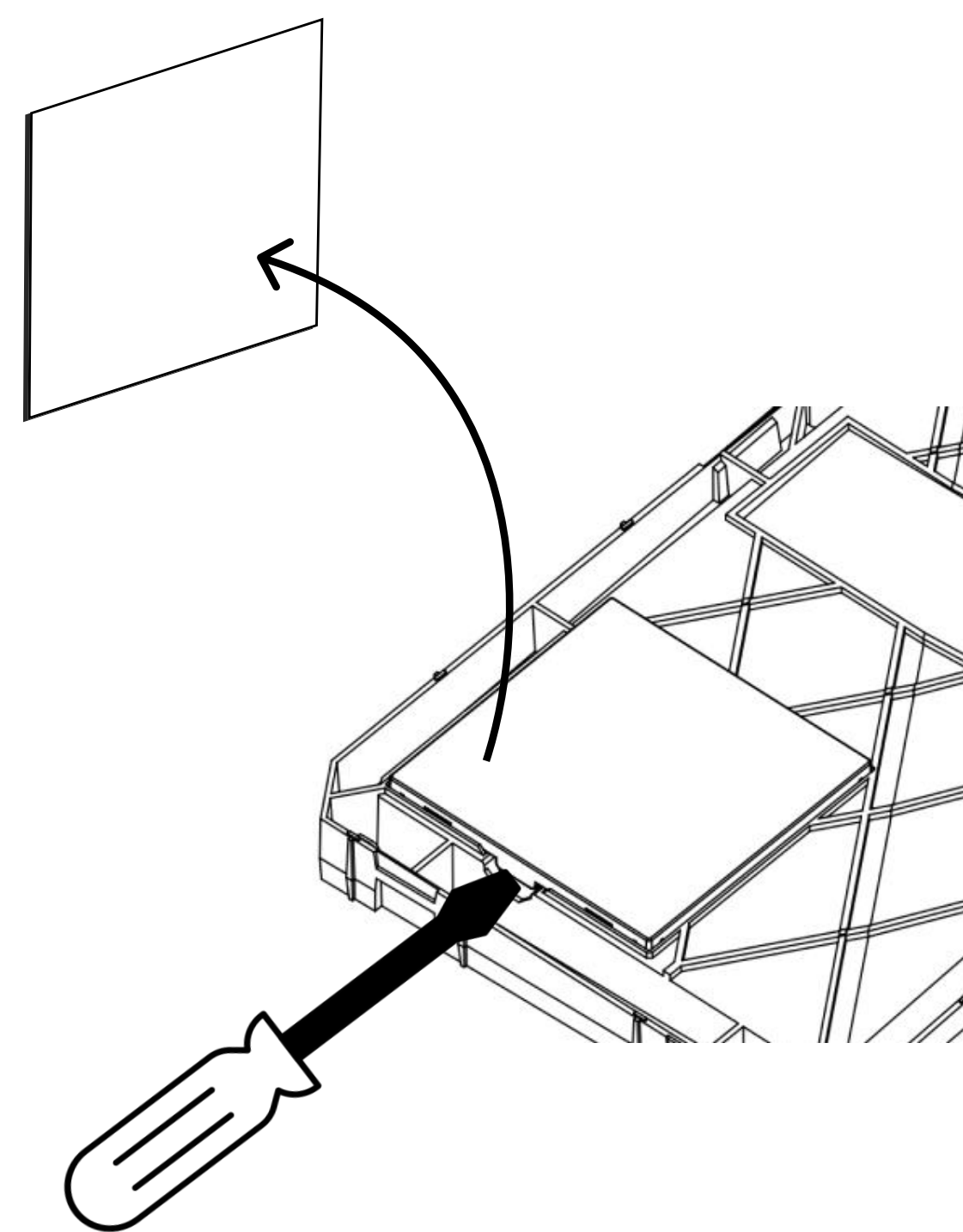
TOUCH
PURE AIR



TOUCH
PURE FLEX
AIR

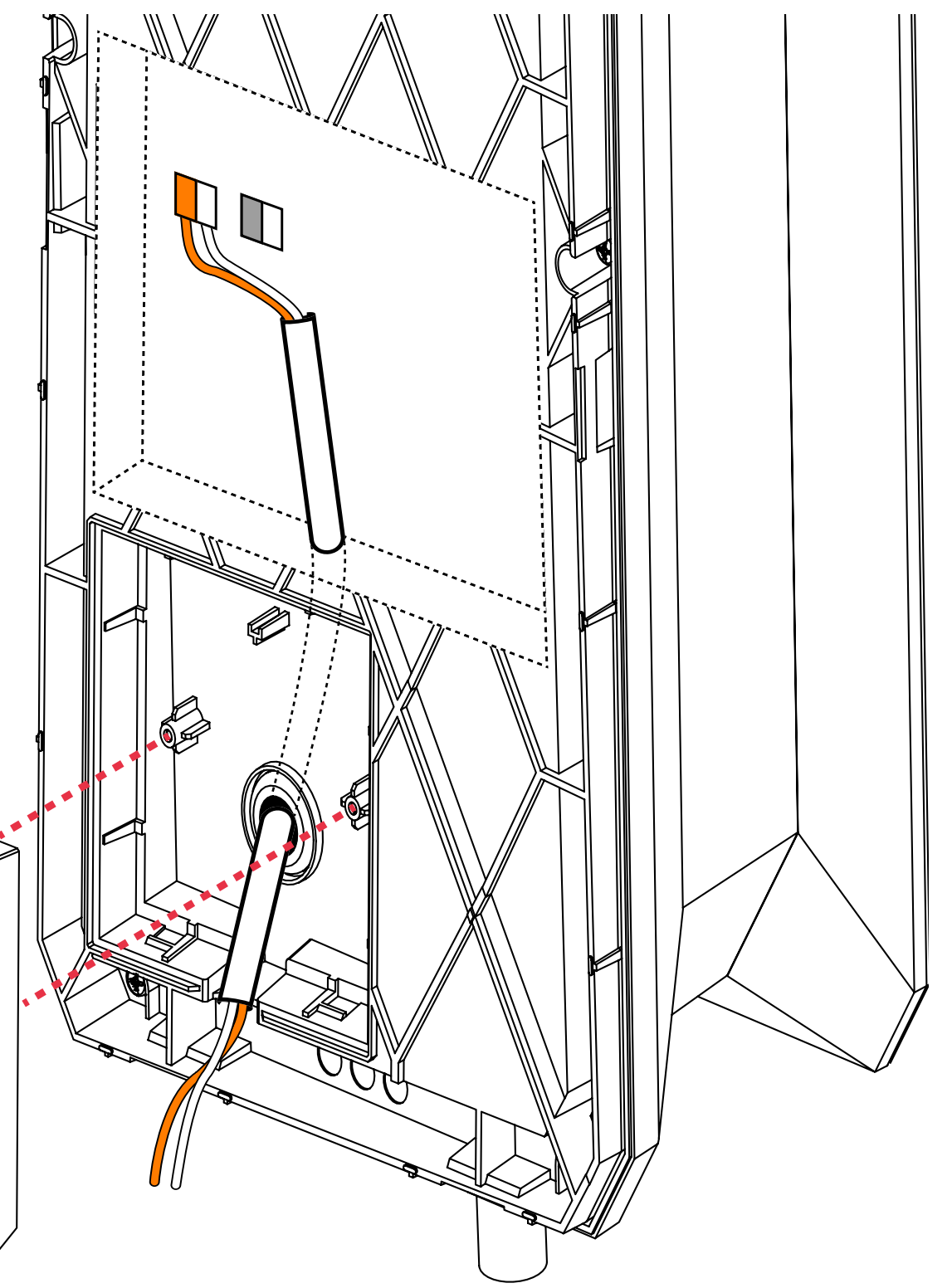


NFC CODE
TOUCH AIR



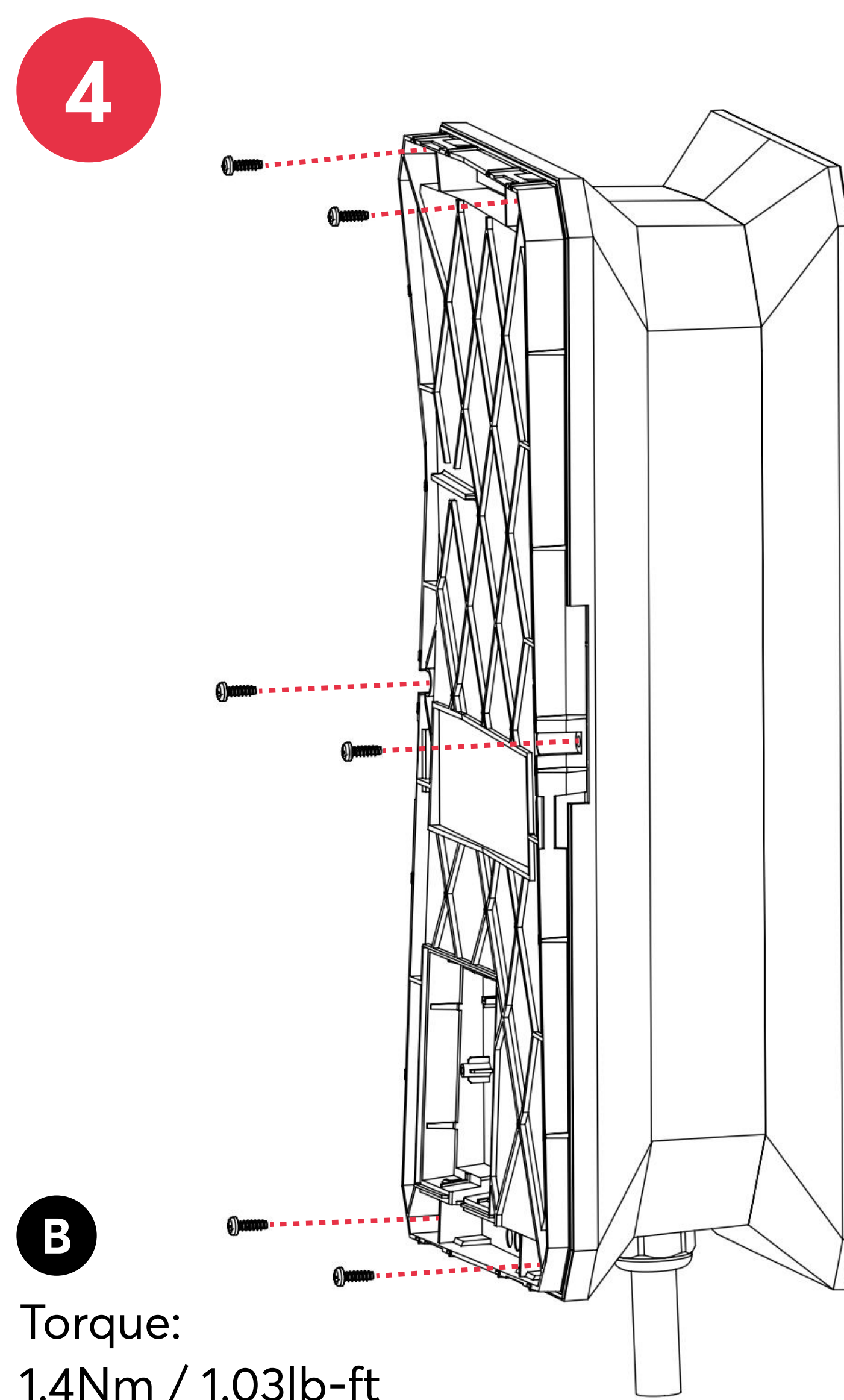
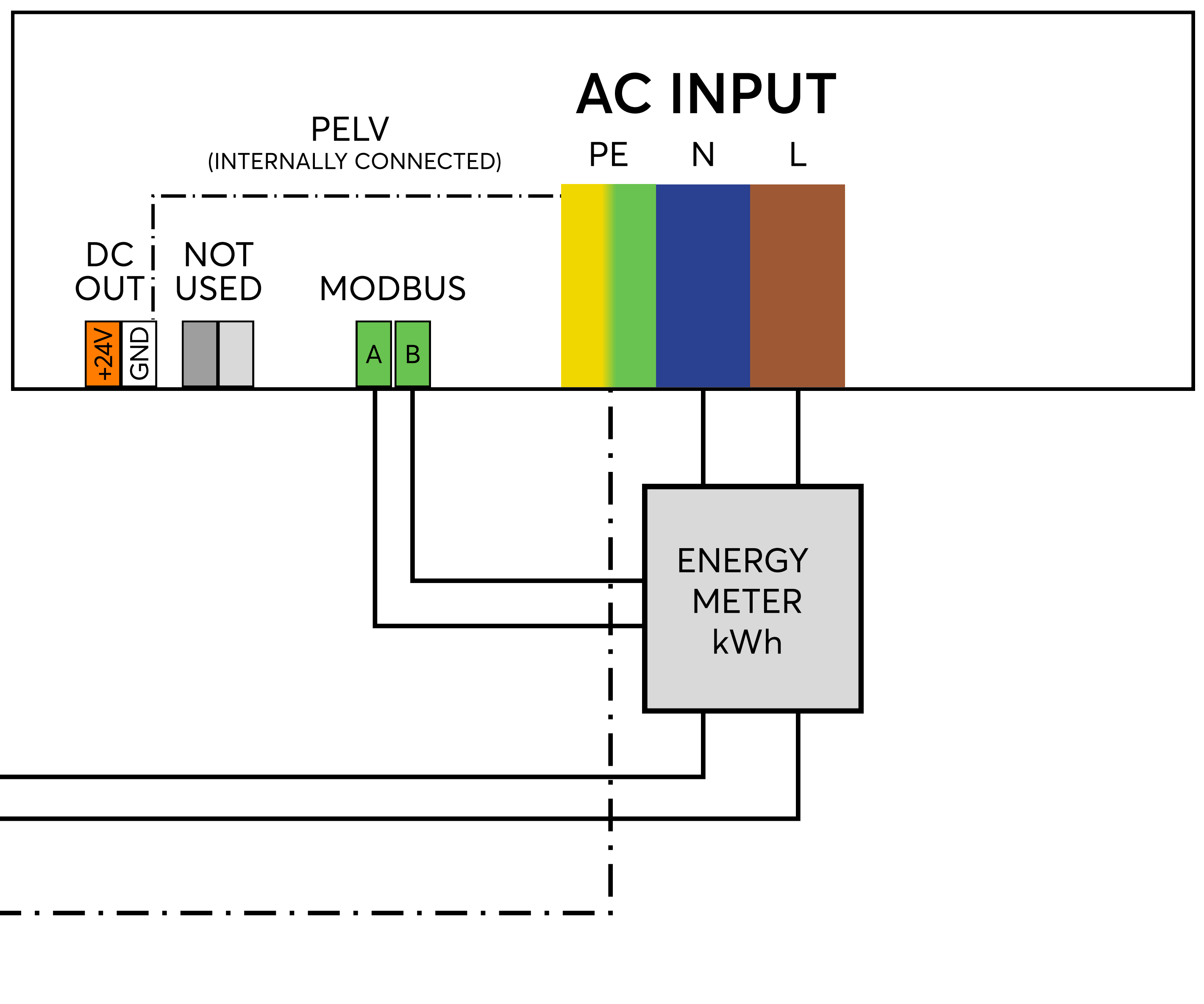
C

Torque:
0.8Nm / 0.59lb-ft



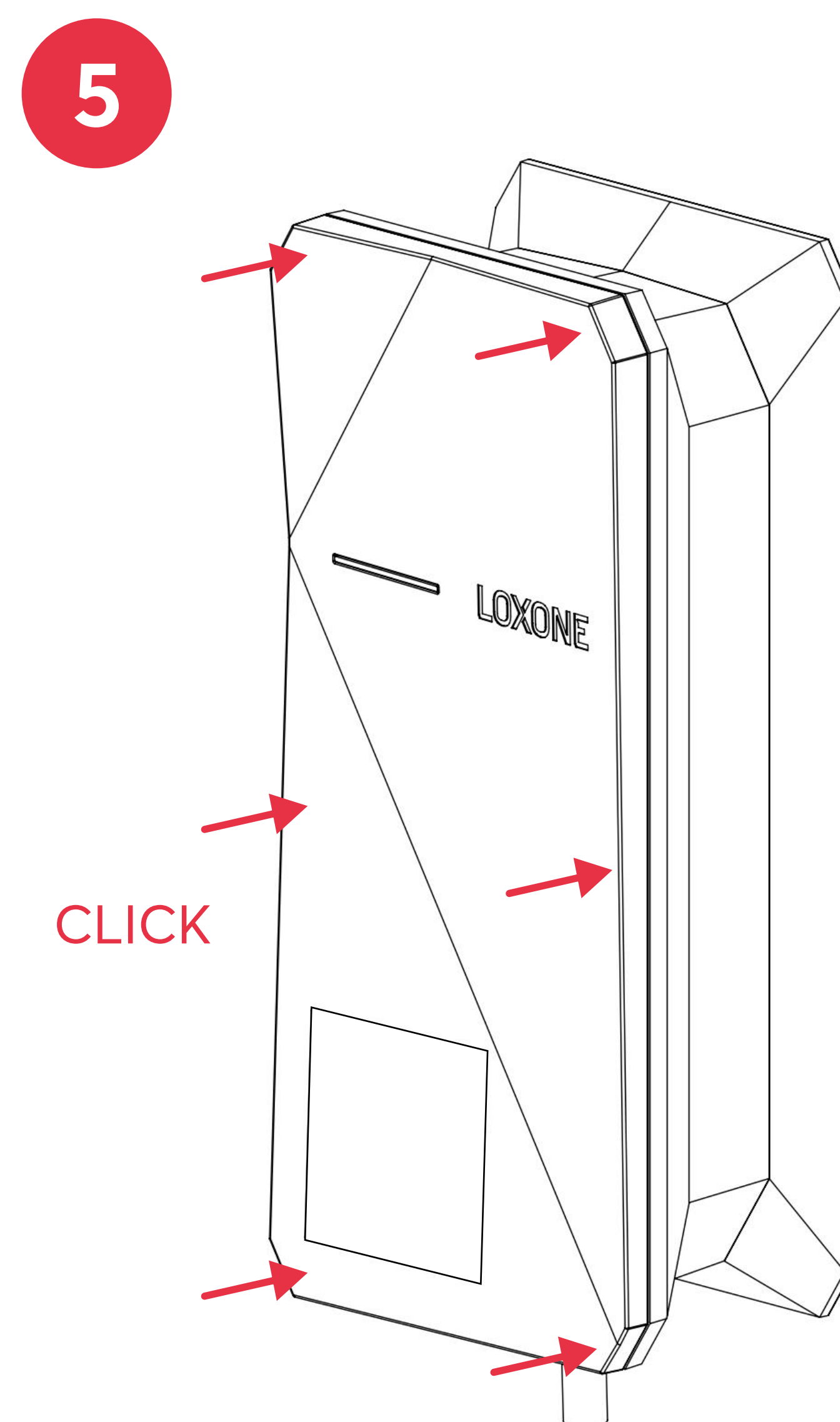
OPTIONAL

MODBUS ENERGY METER
PART NO.: 200156
RECOMMENDED

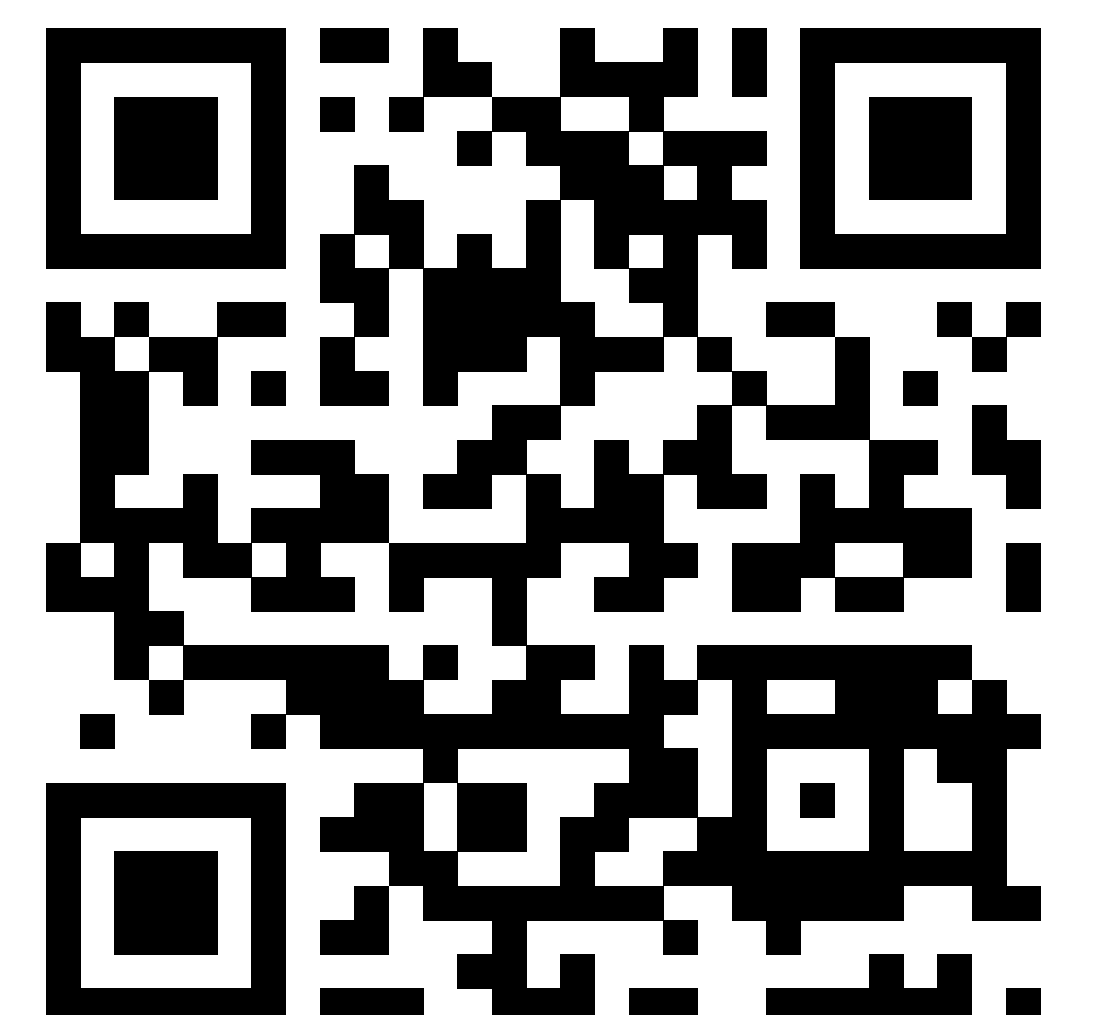
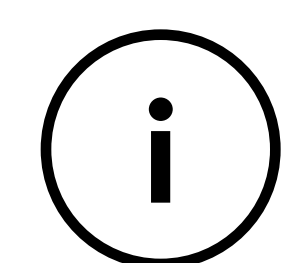


B

Torque:
1.4Nm / 1.03lb-ft



CLICK



FOR MORE INFORMATION
ABOUT THIS PRODUCT,
PLEASE VISIT
**LOXONE.COM/HELP/
WALLBOX-7KW32A-AIR**