

Datasheet

Loxone Spot Rough-In Mount

(Pack of 10)

Item No: 100424

About the product:

Loxone LED Spots RGBW Gen 2 are known for their high quality and simple installation. Paired with our Loxone Spot Rough-In Mount, the preconstruction process becomes even easier and installation is streamlined. Locate and align lights before drywall is installed.

- Pack of 10
- Easy installation in ceiling joists up to 28" spacing
- Compatible with 1/2" or 5/8" drywall
- Flexible mounting options with simple snap-together components
- Compact design saves space
- Specially developed for Loxone Spots RGBW Tree Gen 2

Frontal view

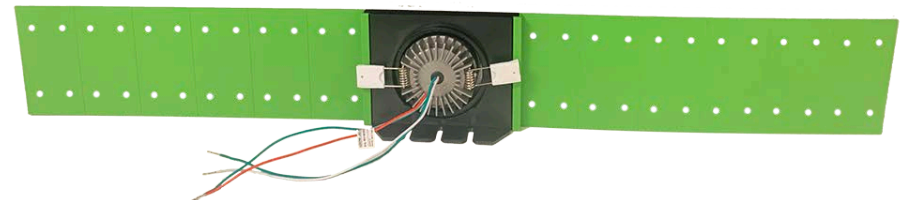


Side view



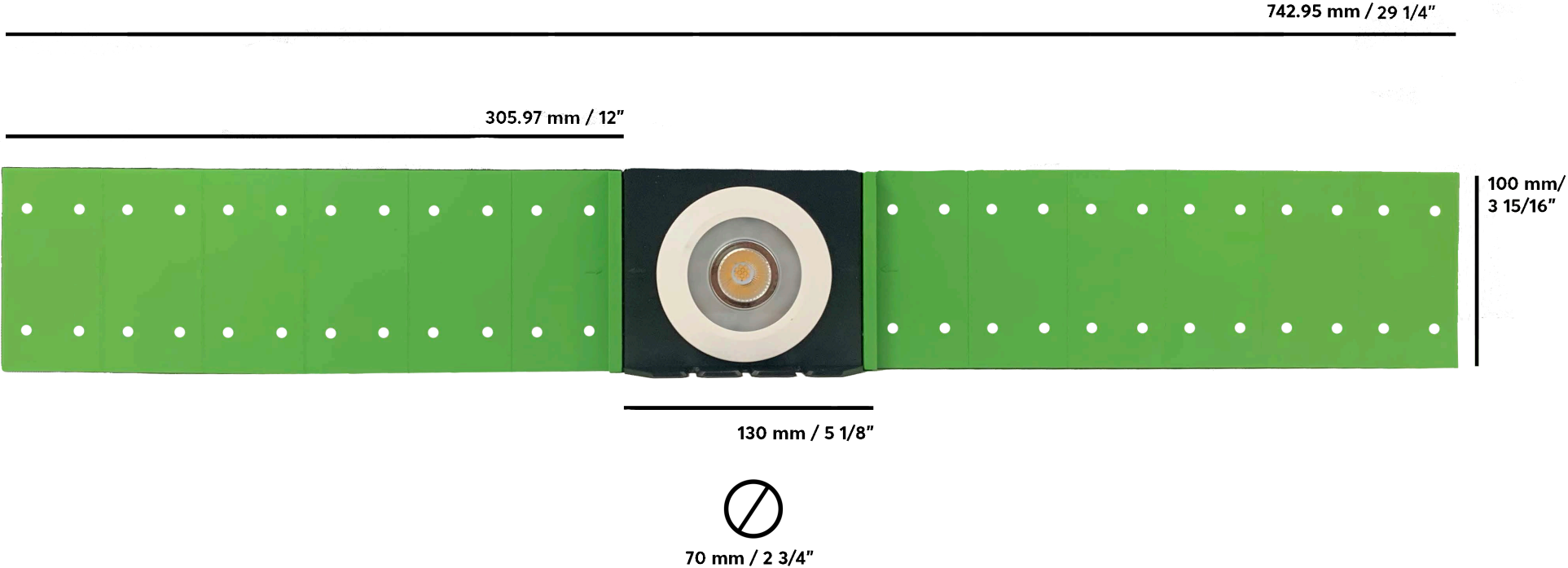
Back view

With LED Spot RGBW Gen 2 (not included)



PRODUCT DIMENSIONS - LOXONE SPOT ROUGH-IN MOUNT

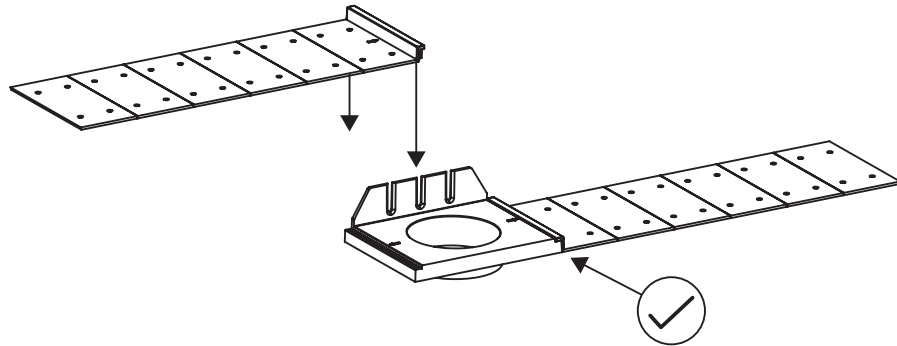
Item No. 100424



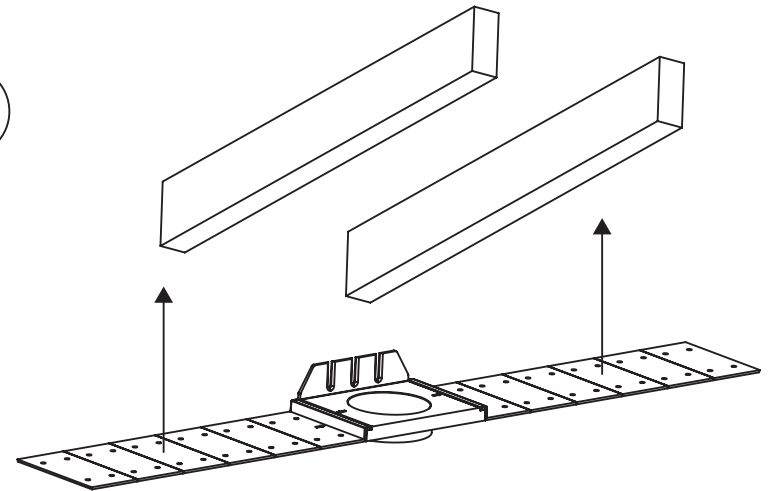
MOUNTING INSTRUCTION - LOXONE SPOT ROUGH-IN MOUNT

Item No. 100424

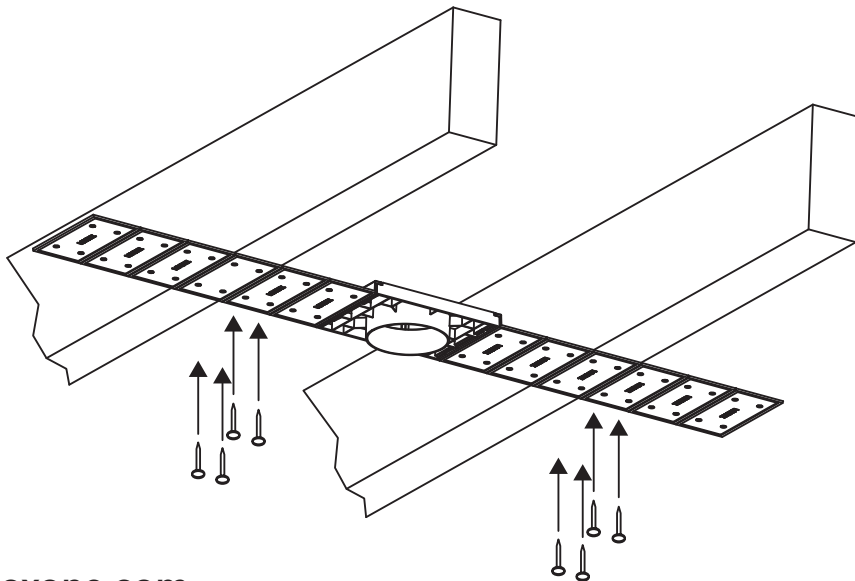
1



2



3A



3B

