

Supply & Power

Supply voltage	110 ... 230VAC, 50/60Hz (nominal)
Power consumption	typ. 0.6W max. 1.5W (incl. 30mA bus load)
Power loss at max. load	1W (at 30mA bus load)

DALI Interface

DALI devices	max. 10 devices / 16 groups
DALI types	supported DALI device types: 0-8 supported DALI-2 instance types: 1-4
Bus length	max. 30m / 98ft
Bus supply	guaranteed: 30mA max. 250mA

Loxone Air Interface

Frequencies & Channels	868MHz (SRD Band Europe), 4 channels, max. 15.1mW e.r.p. 915MHz (ISM Band Region 2), 10 channels, max. 13.2mW internal antenna
------------------------	--

Ambient Conditions

Temperature	-40 ... 55°C / -40 ... 131°F
Humidity	max. 95% r.H. (non condensing)
Ingress Protection	IP20



For more information
about this product, visit
loxone.com/help/DALI-Air

**Loxone
Electronics GmbH**
Smart Home 1
4154 Kollerschlag
Austria

Loxone UK
The Forum
Station Road
Theale, RG7 4RA
United Kingdom



For additional information,
declaration of conformity, visit
www.loxone.com/datasheets

V270923

DALI Air

Need Help?
loxone.com/support



Part No.: 100570



About the product

DALI is a standardized wired lighting interface that offers a wide range of manufacturers and lighting fixtures. Loxone DALI Air integrates these products wirelessly into the Loxone ecosystem. DALI Air is able to control up to 10 DALI devices either in broadcast mode or by assigning dedicated addresses.

Features:

- Up to 10 DALI devices / 16 groups
- Up to 30m cable length
- Supports DALI device-types 0-8
- Supports DALI-2 instance types 1-4
- Internal DALI power supply
- DALI-2 certified

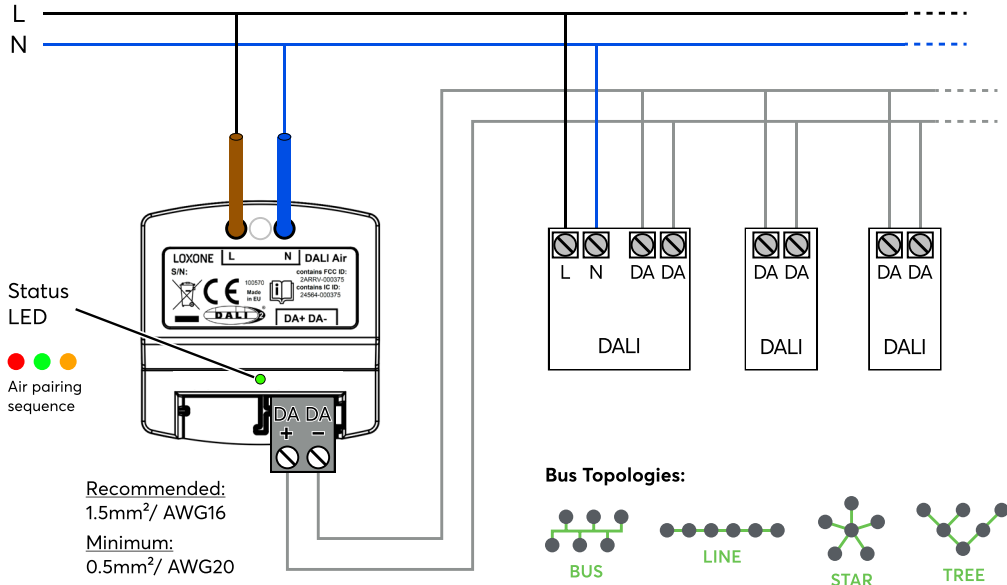
Connections

AC Supply

Wire cross-section	1.5mm ² / AWG16
Wire length	150mm / 5.9"
Temperature resistance	-40 ... 105°C / -40 ... 221°F

DALI Interface

Wire cross-section	0.5 ... 2.5mm ² / AWG20 ... 14
Stripping length	7mm / 0.28"
Temperature resistance	-40 ... 70 °C / -40 ... 158°F



Safety Instructions

Installation must be carried out by a qualified electrician in accordance with the applicable regulations. This device is free of maintenance and must only be cleaned with a dry cloth.