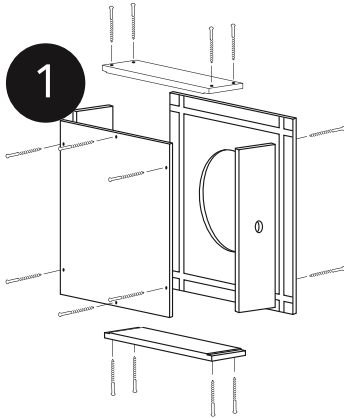
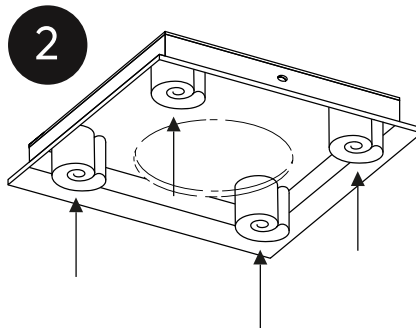


Back Box Install 7/10

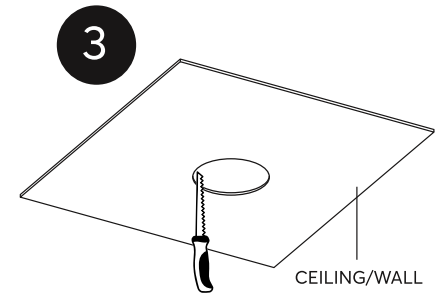
Type of construction: Acoustic ceilings / walls



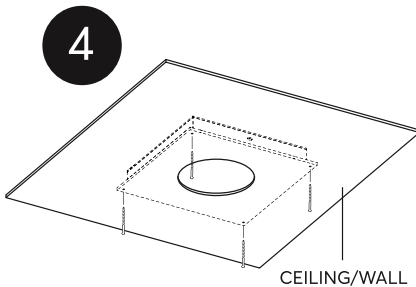
Assemble your Speaker Back Box. Screw drive TX15



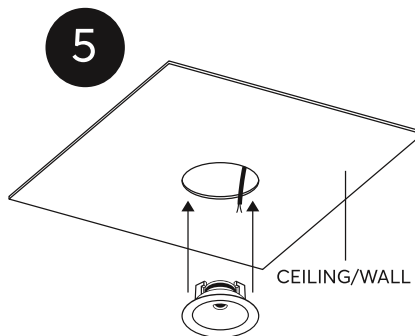
Roll up the acoustic fleece and stuff it into the corners.
Note: acoustic fleece must not touch the speaker.



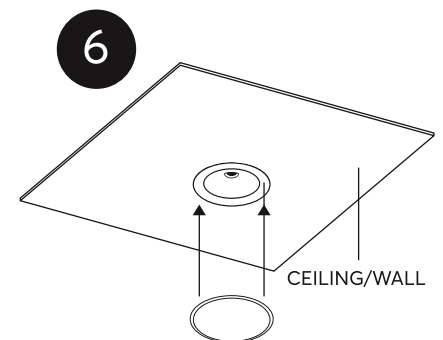
Cut a hole into the plasterboard (same measurement as the hole in the Back box)



Mount the Speaker Back Box directly behind the plasterboard. Use min. 4x screws to secure the box behind the plasterboard.



Wire the speaker and mount it into the Speaker Back Box.



Fit the cover for the Install Speaker.

7 NOW RELAX AND LISTEN TO YOUR FAVOURITE MUSIC!