

# Installation Instructions - Housing for 10 inch speaker

**This housing is suitable for following Products:**

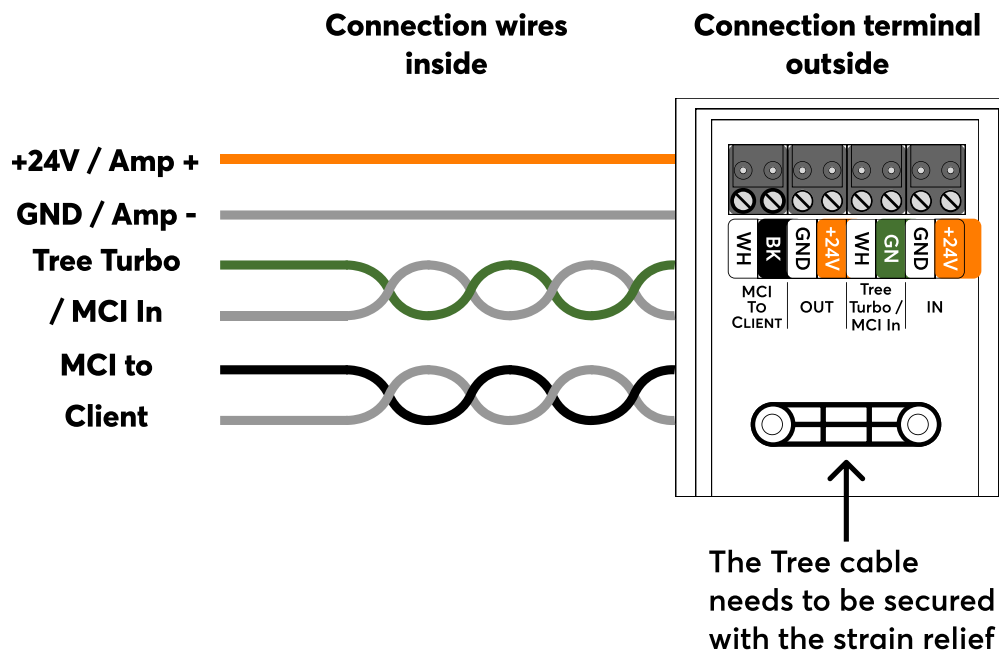
- Install Sub 10 Master / Client
- Install Speaker 10 Master / Client
- Install Speaker 10 Passive

### Master Client Connection (MCI):

Connect the Tree cable to the matching connectors.  
The Client input (MCI in) connects to the green and white connector on the terminal and cables in the housing.

### Install Speaker 10 Passive Connection:

Use the +24V (OG) and GND (WH) connectors to attach the speaker cable.  
Then connect the orange and white cable inside the housing to the passive speaker.



### Safety instructions

Installation must be carried out by a qualified electrician in accordance with the applicable regulations.

The device has to be fitted in accordance with building regulations for electrical and fire safety. The device is free of maintenance and must only be cleaned with a dry cloth. The device must not be used as part of safety-critical systems. When used outdoors, the speaker must be installed in a protected area.

The housing is not suitable for wall or ceiling mounting!