

Technical Specifications

Power supply	via Nano IO Air / Dimmer Air
Ambient temperature	-20 ... 70°C / -4 ... 158°F
Humidity	max. 95% r.H. (non condensing)
Touch points	5 touch points, capacitive touch detection
Click feedback	Yes
Safety rating	IP40
Dimensions	90x90x23mm / 3.54x3.54x0.9" (LxWxH)
Maintenance & Cleaning	This device is free of maintenance and may only be cleaned with a dry cloth.

LOXONE

**Loxone
Electronics GmbH**
Smart Home 1
4154 Kollerschlag
Austria

Loxone UK
The Forum
Station Road
Theale, RG7 4RA
United Kingdom



For additional information,
declaration of conformity, visit
www.loxone.com/datasheets

Need Help?
loxone.com/support



V26.0325

LOXONE



Touch Pure for Nano

Part No: 100661 (White)
Part No: 100586 (Anthracite)

About the product

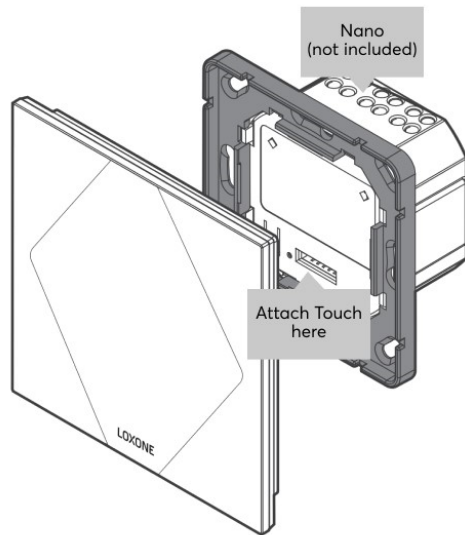
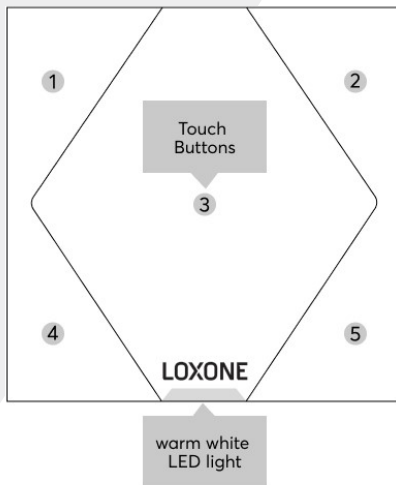
The Loxone Touch Pure has five touch zones, which can be configured according to your needs. The large central touch zone is ideal for controlling lighting, whilst the corner zones are handy for controlling music and blinds, for example.

Features

- 5 touch buttons
- Optional click feedback
- Orientation LED light

Installation

Install the mounting frame on the desired installation place. Attach the Touch on the Nano IO Air or Nano Dimmer Air and configure it in Loxone Config.



This folder is a part of the product!



For additional information,
visit www.loxone.com/help/touch-pure-nano