

PRESSURE SENSOR 0...0.3bar

Part No.: 200154

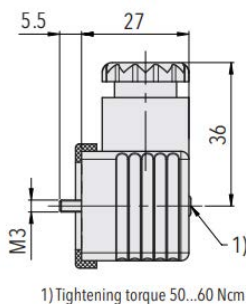
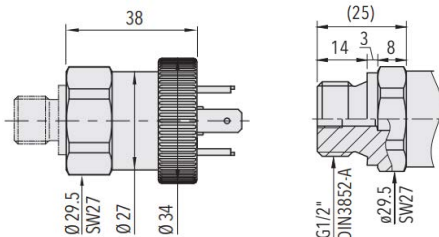
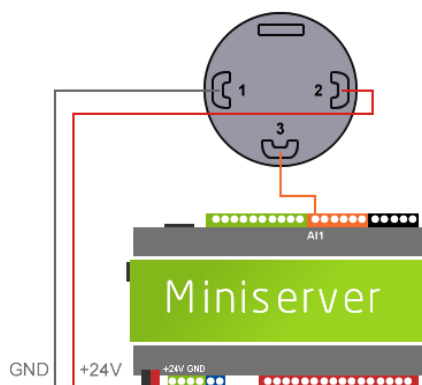
KEY FEATURES

- Sensor: Thick-film-on-ceramic
- Measuring range: 0...0.3bar
- Output signal: 0-10V

ACCURACY

- NLH @ 25°C (BSL) typ.: ± 0.2 % FS typ.

CONNECTION



TECHNICAL DATA

| | |
|-----------------------|--|
| Output signal | Output: 0-10 V Load resistance: ≥ 5.0 kΩ I (supply): ≤ 10 mA |
| Supply voltage | 24 (15...30) VDC |
| Measuring range | 0...0.3 bar |
| Over pressure | max. 1.2 bar |
| Burst pressure | 2 bar |
| Sensor | Relative pressure, 1.4404 - G 1/2" male |
| Electrical connection | Male electrical plug EN 175301-803-A, Mat. PA |
| Rise time | Typ. 1 ms/ 10...90% nominal press |
| Power-on delay time | Max. 1.5 s |
| Ambient temperature | -25...125°C / -13...257°F |
| Media temperature | -25...125°C / -13...257°F |
| Protection | IP65 |
| Humidity | Max. 95% relative |
| Vibration | 15g RMS (20...2000 Hz) 15g Sinus (10...2000 Hz) |
| Shock | 50g - 11ms / 1.8oz - 11ms |
| EMC Protection | Emission: EN/IEC 61000-6-3 Immunity: EN/IEC 61000-6-2 |

MECHANICAL DATA

| | |
|---------------------|---|
| Sensor | Ceramic, Al ₂ O ₃ (96%) |
| Pressure connection | 1.4404 (AISI316L) |
| Sealing | FKM 70 Sh |
| Mounting torque | 15...20 Nm |
| Weight | ~110g / ~4oz |

Published by
Loxone Electronics GmbH
 Smart Home 1
 4154 Kollerschlag
 Austria
 Tel: +43 7287 7070-0
 loxone.com

ö dÄ

Subject to change!

Ñ ö

DRUCKSENSOR 0...0,3bar

Art. Nr.: 200154

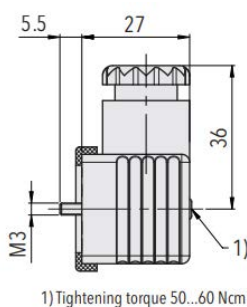
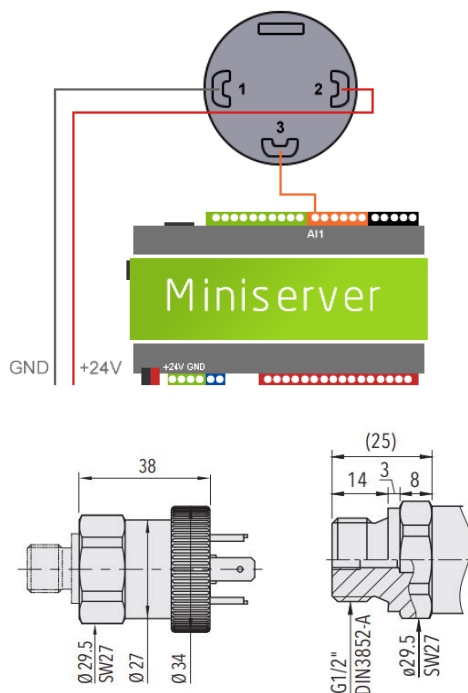
EIGENSCHAFTEN

- Sensor: Dickschicht-auf-Keramik
- Messbereich: 0...0,3bar
- Ausgangssignal: 0-10V

GENAUIGKEIT

- NLH @ 25°C (BSL) typ.: ± 0,2 % d.S. typ.

ANSCHLUSS



TECHNISCHE DATEN

| | |
|------------------------|--|
| Ausgangssignal | Output: 0-10 V Load resistance: ≥ 5,0 kΩ I (supply): ≤ 10 mA |
| Versorgungsspannung | 24 (15...30) VDC |
| Messbereich | 0...0,3 bar |
| Überdruck | max. 1,2 bar |
| Berstdruck | 2 bar |
| Sensor | Relativdruck, 1.4404 - G 1/2" außen |
| Elektrischer Anschluss | Gerätestecker EN 175301-803-A, Mat. PA |
| Anstiegszeit | Typ. 1 ms/ 10...90% Nenndruck |
| Einschaltverzögerung | Max. 1,5 s |
| Umgebungstemperatur | -25...125°C / -13...257°F |
| Medientemperatur | -25...125°C / -13...257°F |
| Schutzart | IP65 |
| Feuchtigkeit | Max. 95% relative |
| Vibration | 15g RMS (20...2000 Hz) 15g Sinus (10...2000 Hz) |
| Schock | 50g - 11ms / 1.8oz - 11ms |
| EMV-Schutz | Emission: EN/IEC 61000-6-3 Immunity: EN/IEC 61000-6-2 |

MECHANISCHE DATEN

| | |
|------------------|---|
| Sensor | Keramik, Al ₂ O ₃ (96%) |
| Druckanschluss | 1.4404 (AISI316L) |
| Dichtung | FKM 70 Sh |
| Anziehdrehmoment | 15...20 Nm |
| Gewicht | ~110g / ~4oz |

Veröffentlicht von
Loxone Electronics GmbH
 Smart Home 1
 4154 Kollerschlag
 Österreich
 Tel: +43 7287 7070-0
 loxone.com