

Ambient Conditions

Temperature	-20 ... 65°C / -4 ... 149°F
Humidity	max. 95% r.H. (non condensing)
Ingress Protection	IP20

Connecting Cable

Wire cross-section	0.14mm ² / AWG26
Temperature resistance	80°C / 176°F
Length	50mm / 1.97"
Part. No.	000617

 The use of passive splitters is not recommended.

Safety Instructions

Installation must be carried out by a qualified electrician in accordance with the applicable regulations.
This device is free of maintenance and must only be cleaned with a dry cloth.



For more information
about this product, visit
loxone.com/help/p1-meter-reader-air

V210325

**Loxone
Electronics GmbH**
Smart Home 1
4154 Kollerschlag
Austria

Loxone UK
The Forum
Station Road
Theale, RG7 4RA
United Kingdom



For additional information,
declaration of conformity, visit
www.loxone.com/datasheets

Need Help?
loxone.com/support



P1 Meter Reader Air

Part No.: 100663

About the product

The P1 Meter Reader Air reads DSMR P1-compatible smart meters via a plug-and-play setup — wirelessly using Loxone Air and powered directly through the P1 interface. It automatically provides bidirectional power and energy values. Additionally, it detects extra sensors and sub-meters connected to the smart meter. This ensures that all relevant energy data is centrally collected and instantly available for efficient energy management.

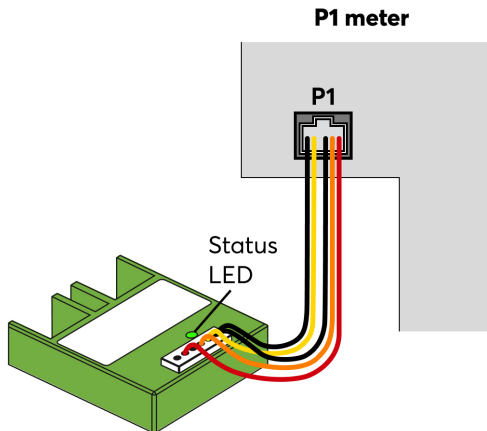
Features

- Compatible with DSMR P1 4.2 and higher*
- Wireless plug & play integration via Loxone Air
- Fully integrated meter function block
- No external power supply required
- Detection of additional available sensors*
- Support for sub-meters (gas, water, heating/cooling, energy)

Technical Specifications

Power supply	via P1 interface
Power consumption	typ. 0.15W, max. 0.2W
Loxone Air interface	868MHz (SRD Band Europe), 4 channels, max. 15.1mW e.r.p. 915MHz (ISM Band Region 2), 10 channels, max. 13.2mW internal antenna

*For details on compatible DSMR P1 versions and supported additional sensors, visit: loxone.com/help/p1-meter-reader-air



Information

Contains **FCC ID: 2ARRV-000375**

This device complies with part 15 of the FCC Rules. Operation is subject to the following two conditions:

1. This device may not cause harmful interference.
2. This device must accept any interference received, including interference that may cause undesired operation.