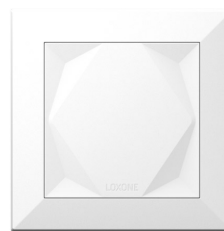


Datasheet

Touch for Nano White

Part No: 100154



About the product

The Loxone Touch for Nano is a **module** that can be plugged into the Loxone Nano IO Air or the Nano Dimmer Air. It has **five touch points** for operating the most important functions in a room. When a button is touched, a click is heard as **acoustic confirmation**.

Electrical Specifications

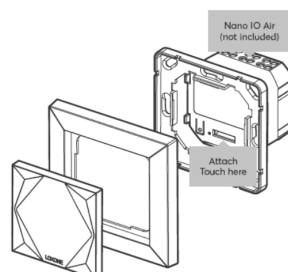
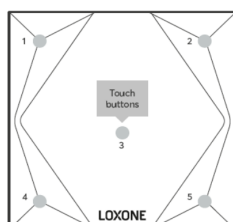
Power Supply	via Nano IO Air / Nano Dimmer Air
Temperature	-20 ... 70°C / -4 ... 158°F
Touch points	5 touch points, capacitive touch detection
Click feedback	Yes
Recommended mounting height	135cm / 53.15"

Ambient Conditions

Humidity	max. 95% r.H. (non condensing)
----------	--------------------------------

Connection Diagram

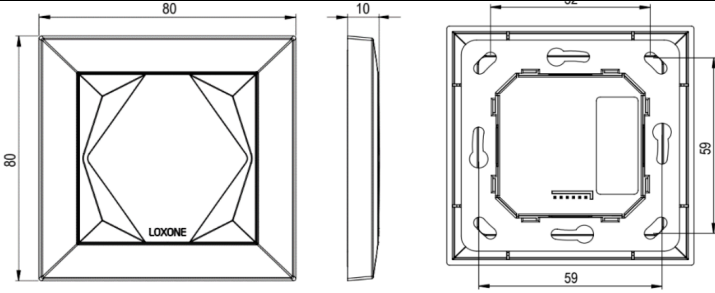
Connection Diagram




Product Characteristics

Colours	White: RAL 9003
Finish	Matte

Weight & Dimensions

Net weight	50g
Total weight	70 g
Product dimensions	80x80x10mm / 3.15x3.15x0.4" (LxWxH)
Product dimensions drawing	 <p>The drawing consists of three views: a front view showing a square frame with a central diamond-shaped cutout and a depth of 10mm; a side view showing the profile of the frame; and a top view showing the internal components and mounting points, with dimensions of 80mm width and 80mm height. The top view also shows a central rectangular area with a width of 59mm and a height of 80mm.</p>
Pack size	98x90x33mm / 3.86x3.54x1.30" (LxWxH)

Certifications & Standards

Safety class	IP40
Standards	UL 62368-1:2019 Ed.3+R:22Oct2021 CSA C22.2#62368-1:2019 Ed.3+U1 IEC 62368-1:2018
Certifications	 <p>The certifications shown are CE, UKCA, ETL Intertek, and CB.</p>

Installation must be carried out by a qualified electrician in accordance with the relevant regulations.

Published by

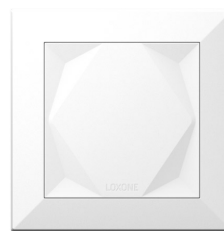
Loxone Electronics GmbH
 Smart Home 1
 4154 Kollerschlag
 Austria
 Tel: +43 7287 7070-0
 loxone.com

Loxone UK Ltd.
 The Forum
 Station Road
 Theale, RG7 4RA
 United Kingdom

Datenblatt

Touch for Nano Weiß

Part No: 100154



Über das Produkt

Der Loxone Touch for Nano ist ein **Modul zum Aufstecken** auf die Loxone Nano IO Air oder den Nano Dimmer Air. Er verfügt über **fünf Tastpunkte** zur Bedienung der wichtigsten Funktionen eines Raumes. Bei Berührung einer Taste erfolgt ein Klicken als **akustische Bestätigung**.

Elektrische Spezifikationen

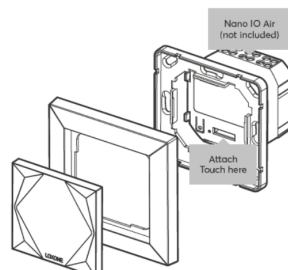
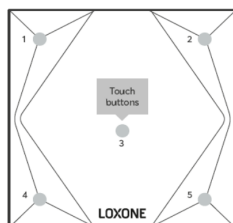
Spannungsversorgung	via Nano IO Air / Nano Dimmer Air
Temperatur	-20 ... 70°C / -4 ... 158°F
Tastpunkte	5 Tastpunkte, kapazitive Berührungserkennung
Klick Feedback	Ja
Empfohlene Montagehöhe	135cm / 53,15"

Umgebungsbedingungen

Luftfeuchtigkeit | max. 95% r.H. (nicht kondensierend)

Anschlussplan

Anschlussplan

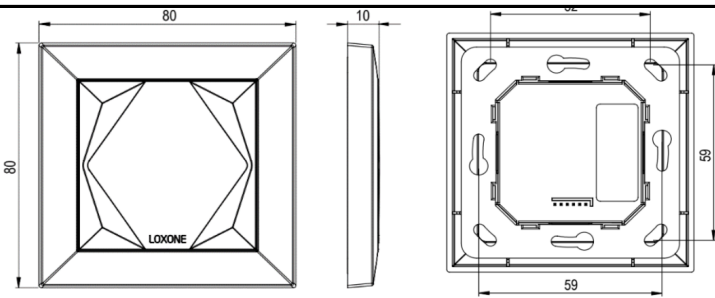


Produkteigenschaften


Farbe | Weiß: RAL 9003

Glanzgrad | Matt

Gewicht & Abmessungen

Nettogewicht	50g
Bruttogewicht	70 g
Produktmaße	80x80x10mm / 3,15x3,15x0,4" (LxBxH)
Produktmaßzeichnung	 <p>The technical drawing consists of three views: a front view showing a square frame with a central diamond-shaped cutout and a height of 10mm; a side view showing the profile of the frame; and a top view showing the internal components and mounting points, with dimensions of 80mm by 80mm for the outer frame and 59mm by 59mm for the inner cutout.</p>
Packmaß	98x90x33mm / 3,86x3,54x1,30" (LxBxH)

Zertifizierungen & Standards

Schutzklasse	IP40
Normen	UL 62368-1:2019 Ed.3+R:22Oct2021 CSA C22.2#62368-1:2019 Ed.3+U1 IEC 62368-1:2018
Zertifizierungen	 <p>The certification logos shown are CE, UKCA, ETL Intertek, and CB.</p>

Die Installation muss von einer qualifizierten Elektrofachkraft gemäß den einschlägigen Vorschriften durchgeführt werden.

Veröffentlicht von

Loxone Electronics GmbH
Smart Home 1
4154 Kollerschlag
Austria
Tel: +43 7287 7070-0
loxone.com

Loxone UK Ltd.
The Forum
Station Road
Theale, RG7 4RA
United Kingdom