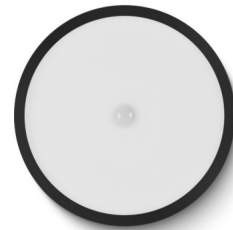


Datasheet

LED Ceiling Light

RGBW Air Anthracite

Part No: 100287



About the product

The LOXONE LED Ceiling Light RGBW Air is a ceiling light with an **integrated motion detector** and **brightness sensor** that combines **colored light** and **warm white light**. The **control** and **dimming** takes place directly via the **Air interface**.

Features:

- Gentle dimming behavior
- Timeless design
- Homogeneous light surface
- Easy installation thanks to fall protection and fastening magnets
- Cover up to 20m² with just one light - perfect for offices, storage rooms, bathrooms, toilets and much more

Electrical Specifications

Power Supply	220 ... 240VAC, 50Hz
Power consumption	Standby: <0.50W Red: 10W Green: 7.9W Blue: 4.7W Warm White: 22.2W max. 24W
Dimming range	0 ... 100%
Interfaces	LOXONE Air: 868MHz (SRD Band Europe), 4 channels available 915MHz (ISM Band Region 2), 10 channels available max. power 3.16mW
PWM frequency	200Hz
Energy efficiency (EU) 2017/1369	G
Motion detection	passive infrared sensor
Motion detection range	8m / 26.25ft (at height of 3m / 9.84ft)
Measuring range of brightness sensor	0.045 ... 188000lx
Detection angle vertical	110°
Detection angle horizontal	360°

Ambient Conditions

Temperature	-40 ... 55°C / -40 ... 131°F
Humidity	max. 95 % RH (non-condensing)

Connection Terminals

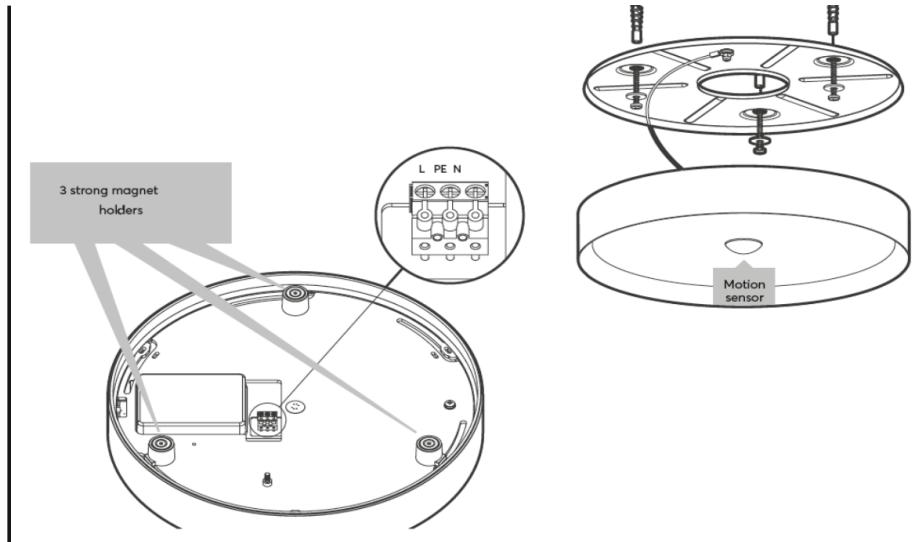
Wire cross-section	0.75 ... 2.5mm ² / AWG18 ... 13
Stripping length	5 mm / 0.2"

Connections

Tightening torque	0.35 ... 0.4Nm / 0.26 ... 0.3 lbf ft
Temperature resistance	min. 80°C / 176°F for IEC, min. 75°C / 167°F for UL

Connection Diagram

Connection Diagram



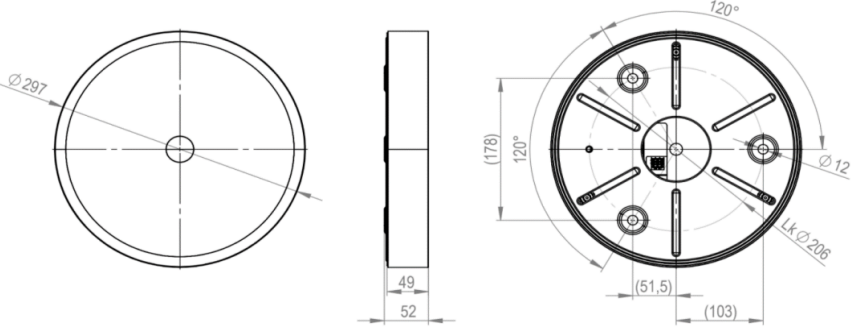
Light Properties

Colour temperature	typ. 3000k (warm white)
Luminous flux	typ. 1350lm (warm white)
Colour rendering index (CRI)	min. 90, (R9 min. 50)
Beam angle	120°
Unified glare rating (UGR)	<19

Product Characteristics

Colours	White: RAL 9003 - Part No. 100286 Anthracite: RAL 7021 - Part No. 100287 Gold: approx. RAL1036 - Part No. 100500
Material	Alu and Plastic
Finish	Matte

Weight & Dimensions

Net weight	2600g
Total weight	2800g
Product dimensions	D: 297mm / 11.69" H: 52mm / 2.05"
Product dimensions drawing	
Pack size	355x355x55mm / 13.98x13.98x2.17" (LxWxH)

Certifications & Standards

Safety class	IP20
Certifications	 

Installation must be carried out by a qualified electrician in accordance with the relevant regulations.

Published by

Loxone Electronics GmbH
Smart Home 1
4154 Kollerschlag
Austria
Tel: +43 7287 7070-0
loxone.com

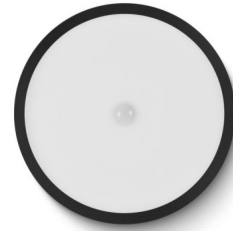
Loxone UK Ltd.
The Forum
Station Road
Theale, RG7 4RA
United Kingdom

Datenblatt

LED Ceiling Light

RGBW Air Anthrazit

Part No: 100287



Über das Produkt

Die LOXONE LED Ceiling Light RGBW Air ist eine Deckenleuchte mit **integriertem Bewegungsmelder** und **Helligkeitssensor**, die **Farblicht** und **warmweißes Licht** kombiniert. Die **Ansteuerung** und das **Dimmen** erfolgen direkt über die **Air Schnittstelle**.

Features:

- Sanftes Dimmverhalten
- Zeitloses Design
- Homogene Leuchtfläche
- Einfache Installation dank Absturzsicherung und Befestigungsmagneten
- Bis 20m² mit nur einer Leuchte abdecken - perfekt für Büro, Abstellräume, Bäder, WC's und vielem mehr

Elektrische Spezifikationen

Spannungsversorgung	220 ... 240VAC, 50Hz
Leistungsaufnahme	Standby: <0.50W Rot: 10W Grün: 7,9W Blau: 4,7W Warmweiß: 22,2W max. 24W
Dimmbereich	0 ... 100%
Schnittstellen	LOXONE Air: 868MHz (SRD Band Europa), 4 Kanäle wählbar 915MHz (ISM Band Region 2), 10 Kanäle wählbar max. Sendeleistung 3,16mW
PWM Frequenz	200Hz
Energieeffizienz (EU) 2017/1369	G
Bewegungserkennung	passiver Infrarotsensor
Reichweite der Bewegungserkennung	8m / 26.25ft (in 3m / 9.84ft Höhe)
Messbereich Helligkeitssensor	0,045 ... 188000lx
Erfassungswinkel vertikal	110°
Erfassungswinkel horizontal	360°

Umgebungsbedingungen

Temperatur	-40 ... 55°C / -40 ... 131°F
Luftfeuchtigkeit	max. 95 % r. F. (nicht kondensierend)

Anschlussklemmen

Leiterquerschnitt	0,75 ... 2,5mm ² / AWG18 ... 13
Abisolierlänge	5 mm / 0,2"

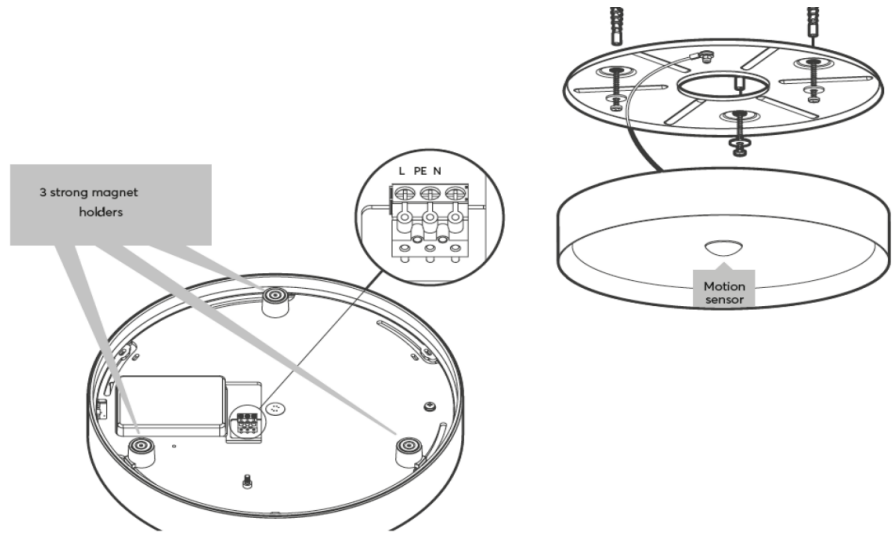
Anschlüsse

Anzugsdrehmoment	0,35 ... 0,4Nm / 0,26 ... 0,3 lbf ft
------------------	--------------------------------------

Temperaturbeständigkeit	min. 80°C / 176°F for IEC, min. 75°C / 167°F for UL
-------------------------	--

Anschlussplan

Anschlussplan



Lichteigenschaften

Farbtemperatur	typ. 3000k (warmweiß)
----------------	-----------------------

Lichtstrom	typ. 1350lm (warmweiß)
------------	------------------------

Farbwiedergabeindex (CRI)	min. 90, (R9 min. 50)
---------------------------	-----------------------

Strahlwinkel	120°
--------------	------

Einheitliche Blendungsbewertung (UGR)	<19
--	-----

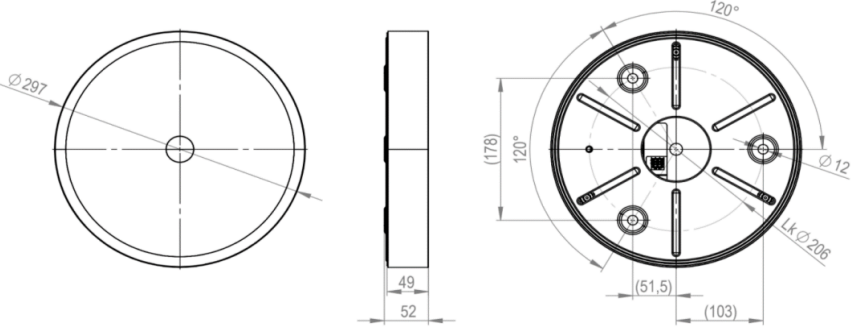
Produkteigenschaften

Farbe	Weiß: RAL 9003 - Art. Nr. 100286 Anthrazit: RAL 7021 - Art. Nr. 100287 Gold: ca. RAL1036 - Art. Nr. 100500
-------	--

Material	Alu und Kunststoff
----------	--------------------

Glanzgrad	Matt
-----------	------

Gewicht & Abmessungen

Nettogewicht	2600g
Bruttogewicht	2800g
Produktmaße	D: 297mm / 11,69" H: 52mm / 2,05"
Produktmaßzeichnung	 The technical drawing shows three views of a circular device. On the left is a top view of the outer ring with a diameter of 297mm. In the middle is a side view showing a height of 52mm and a width of 49mm. On the right is a detailed top view of the inner assembly with a diameter of 206mm. This view shows four mounting tabs spaced at 120-degree intervals. Dimensions include a central hole diameter of 12mm, a distance of 51.5mm from the center to the inner edge of the tabs, and a distance of 103mm between the centers of two opposite tabs. A dimension of 178mm is also shown from the center to the outer edge of the tabs.
Packmaß	355x355x55mm / 13,98x13,98x2,17" (LxBxH)

Zertifizierungen & Standards

Schutzklasse	IP20
Zertifizierungen	 The image shows two certification logos: the CE mark and the UKCA mark, both enclosed in rounded rectangular boxes.

Die Installation muss von einer qualifizierten Elektrofachkraft gemäß den einschlägigen Vorschriften durchgeführt werden.

Veröffentlicht von

Loxone Electronics GmbH
Smart Home 1
4154 Kollerschlag
Austria
Tel: +43 7287 7070-0
loxone.com

Loxone UK Ltd.
The Forum
Station Road
Theale, RG7 4RA
United Kingdom