

Datasheet

Mounting Frame 2-Way Anthracite

Part No: 100490



About the product

This high-quality mounting frame made of anodised aluminium is perfect for mounting the Intercom, the NFC Code Touch (Gen. 2) or the Touch Pure on any wall.

- Made of anodised aluminium
- Designed for outdoor use
- Extremely durable
- Compact design (188x90x11mm)
- Design aids the channelling of the audio from the Intercom's speaker (upper mounting plate)

Note: Always use the upper mounting plate for the Intercom.

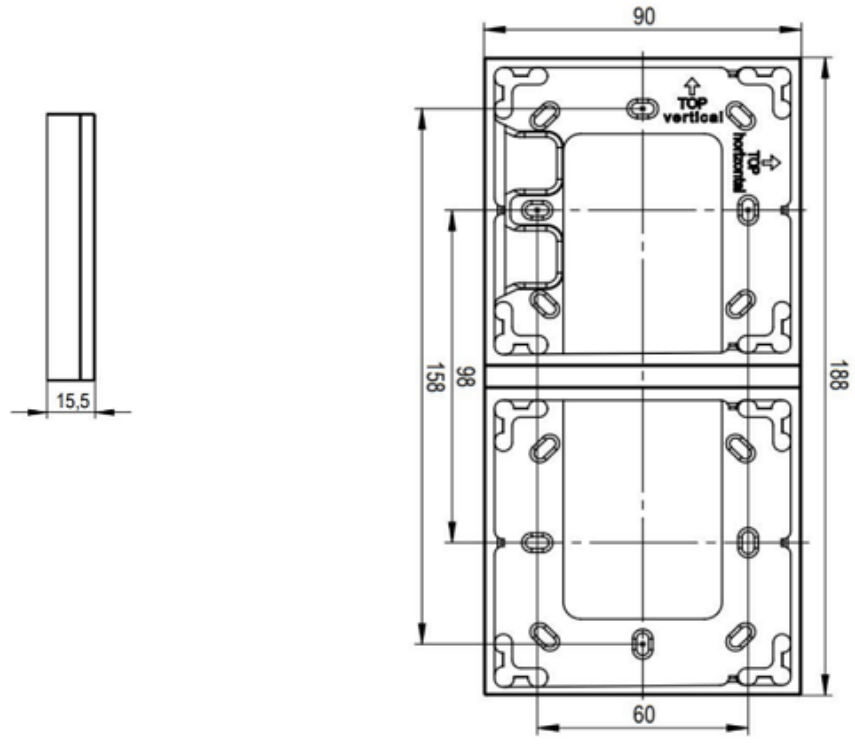
Product Characteristics

Material	Aluminium
Colours	Anthracite: RAL7021

Weight & Dimensions

Net weight	118 g
Net weight	148 g
Product dimensions	188x90x15.5mm / 7.4x3.55x0.63" (LxWxH)
Pack size	204x107x39mm / 8.03x4.21x1.54" (LxWxH)

Product dimensions drawing



Installation must be carried out by a qualified electrician in accordance with the relevant regulations.

Published by

Loxone Electronics GmbH
Smart Home 1
4154 Kollerschlag
Austria
Tel: +43 7287 7070-0
loxone.com

Loxone UK Ltd.
The Forum
Station Road
Theale, RG7 4RA
United Kingdom

Datenblatt

Montagerahmen 2- fach Anthrazit

Part No: 100490



Über das Produkt

Der hochwertige 2-Montagerahmen aus eloxiertem Aluminium eignet sich perfekt zur Befestigung der **Intercom**, des **NFC Code Touchs (Gen. 2)**, des **Touch Pures** oder des **Touch Pure Flex** auf jeder Fassade.

Produkteigenschaften

Material

Aluminium

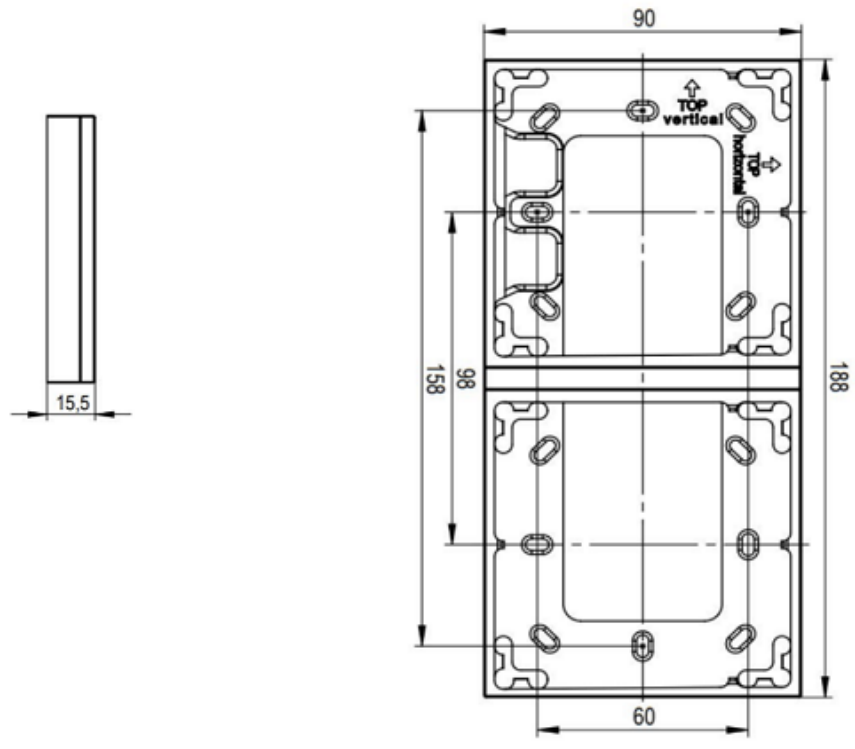
Farbe

Anthrazit: RAL7021

Gewicht & Abmessungen

Nettogewicht	118 g
Nettogewicht	148 g
Produktmaße	188x90x15.5mm / 7.4x3.55x0.63" (LxWxH)
Packmaß	204x107x39mm / 8,03x4,21x1,54" (LxBxH)

Produktmaßzeichnung



Die Installation muss von einer qualifizierten Elektrofachkraft gemäß den einschlägigen Vorschriften durchgeführt werden.

Veröffentlicht von

Loxone Electronics GmbH
Smart Home 1
4154 Kollerschlag
Austria
Tel: +43 7287 7070-0
loxone.com

Loxone UK Ltd.
The Forum
Station Road
Theale, RG7 4RA
United Kingdom