

## Datasheet

### Concrete Installation Housing for 10" Install Speaker

Part No: 610173



#### About the product

The concrete installation housing for 10" Install Speaker is specially designed for the installation of all **LOXONE Install Speaker 10"** in **concrete ceilings and walls**.

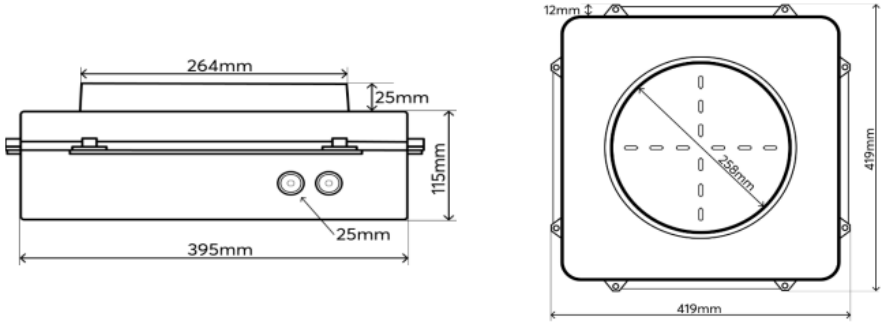
#### Features:

- Easy installation and alignment
- High installation stability
- Suitable for exposed concrete, clad concrete, in-situ and ready-mixed concrete
- Pipe entries: 4xM25

#### Product Characteristics

Colours	Purple: RAL4006
Material	Polycarbonate, halogen-free
Damping material	Polyester fleece (glued in)

## Weight & Dimensions

Net weight	2.2 kg
Total weight	2.95 kg
Volume	18l
Conduit entries	4x M25
Outlet	258mm / 10.2" (Ø)
Installation depth	116mm / 4.57"
Product dimensions	419x419x140mm / 16.5x16.5x5.5" (LxWxH)
Product dimensions	 <p>The image contains two technical drawings of the device. The left drawing is a side view showing a rectangular profile with a depth of 115mm. The main body length is 395mm, and a top section is 264mm long and 25mm high. Two circular features are shown on the front face, each with a 25mm diameter. The right drawing is a front view of a square panel, 419mm wide and 419mm high. It features a central circular outlet with a diameter of 258mm. Four mounting points are located at the corners, each with a 12mm diameter hole.</p>
Pack size	445x445x155mm / 17.5x17.5x6.1" (LxWxH)

Installation must be carried out by a qualified electrician in accordance with the relevant regulations.

### Published by

Loxone Electronics GmbH  
 Smart Home 1  
 4154 Kollerschlag  
 Austria  
 Tel: +43 7287 7070-0  
 loxone.com

Loxone UK Ltd.  
 The Forum  
 Station Road  
 Theale, RG7 4RA  
 United Kingdom

# Datenblatt

## Betoneinbaugehäuse für 10" Install Speaker

Part No: 610173



### Über das Produkt

Das Betoneinbaugehäuse für 10" Install Speaker ist speziell für den Einbau der **LOXONE Install Speaker 10"** in **Betondecken und Wänden** konstruiert.

#### Features:

- Einfache Montage und Ausrichtung
- Hohe Einbaustabilität
- Geeignet für Sichtbeton, verkleideten Beton, Ort- und Fertigbeton
- Rohreinführungen: 4xM25

### Produkteigenschaften

Farbe	Lila: RAL4006
Material	Polycarbonat, halogenfrei
Dämpfungsmaterial	Polyestervlies (eingeklebt)

### Gewicht & Abmessungen

Nettogewicht	2,2 kg
Bruttogewicht	2,95 kg
Volumen	18l
Rohreinführungen	4x M25
Auslass	258mm / 10,2" (Ø)
Einbautiefe	116mm / 4,57"
Produktmaße	419x419x140mm / 16,5x16,5x5,5" (LxBxH)
Produktmaße	419x419x140mm / 16,5x16,5x5,5" (LxBxH)
Packmaß	445x445x155mm / 17,5x17,5x6,1" (LxBxH)

Die Installation muss von einer qualifizierten Elektrofachkraft gemäß den einschlägigen Vorschriften durchgeführt werden.

**Veröffentlicht von**

Loxone Electronics GmbH  
Smart Home 1  
4154 Kollerschlag  
Austria  
Tel: +43 7287 7070-0  
loxone.com

Loxone UK Ltd.  
The Forum  
Station Road  
Theale, RG7 4RA  
United Kingdom